

HDAVS ICR IR Water proof Dome Camera User's Manual

Version 1.0.0

Table of Contents

1	General Introduction	1
1.1	Overview	1
1.2	Features	1
2	Device Framework	2
3	Installation.....	3
4	Menu.....	6
4.1	HAVR Settings	6
4.2	Menu Operation	6
	Appendix I Maintenance.....	8

Welcome

Thank you for purchasing our HDAVS camera!

This user's manual is designed to be a reference tool for your system.

Please read the following safeguard and warnings carefully before you use this series product!

Please keep this user's manual well for future reference!

Important Safeguards and Warnings

Electrical safety

All installation and operation here should conform to your local electrical safety codes.

Please check if the power supply is correct before operating the device.

The power shall conform to the requirement in the SELV (Safety Extra Low Voltage) and the Limited power source is rated DC 12V or AC24V in the IEC60950-1. (Power supply requirement is subject to the device label).

Please install easy-to-use device for power off before installing wiring, which is for emergent power off when necessary.

Please prevent the line cord from being trampled or pressed, especially the plug, power socket and the junction from the device.

Note: Do not connect these two power supplying sources to the device at the same time; it may result in device damage!

We assume no liability or responsibility for all the fires or electrical shock caused by improper handling or installation.

We are not liable for any problems caused by unauthorized modification or attempted repair.

Environment

Please don't aim the device at strong light (such as lighting, sunlight and so on) to focus; otherwise it may cause overexposure (It is not the device malfunction), which will affect the longevity of CCD or CMOS.

Please transport, use and store the device within the range of allowed humidity and temperature.

Please don't keep the device in a place which is wet, dusty, extremely hot, and extremely cold and with strong electromagnetic radiation or unstable lighting.

Please do not allow water and other liquid falling into the camera in case that the internal components are damaged.

Please do not allow rain or damp to the indoor device in case fire or lightning may occur.

Please keep the sound ventilation in case of heat accumulation.

Please pack the device with standard factory packaging or material with same quality when transporting the device.

Heavy stress, violent vibration or water splash are not allowed during transportation, storage and installation.

Operation and Daily Maintenance

Please do not touch the heat dissipation component of the device directly in order to avoid scald.

Please do not dismantle the device; there is no component which can be fixed by users themselves in the machine. It may cause water leakage or bad image for the device due to unprofessional dismantling.

It is recommended to use the device with thunder proof device in order to improve thunder proof effect. The grounding holes of the product are recommended to be grounded to further enhance the reliability of the camera.

Do not touch the CCD (CMOS) optic component directly. You can use the blower to clean the dust or dirt on the lens surface. Please use a dry cloth wetted by alcohol to wipe away the dust gently if it is necessary to clean.

Always use the dry soft cloth to clean the device. If there is too much dust, please use the water to dilute the mild detergent first and then use it to clean the device. Finally use the dry cloth to clean the device. Don't use volatile solvent like alcohol, benzene, thinner and etc or strong detergent with abrasiveness, otherwise it will damage the surface coating or reduce the working performance of the device.

Dome cover is an optical device, please don't touch or wipe cover surface directly during installation and use, please refer to the following methods to deal with once dirt is found:

Stained with dirt

Use oil-free soft brush or hair dries to remove it gently.

Stained with grease or fingerprint

Use soft cloth to wipe the water drop or oil gently to make it dry, then use oil-free cotton cloth or paper soaked with alcohol or detergent to wipe from the lens center to outward. It is ok to change the cloth and wipe several times if it is not clean enough.

Warning

Please use the standard accessories provided by manufacturer and make sure the device is installed and fixed by professional engineers.

Please prevent the device surface from the radiation of laser beam when using laser beam device.

Please do not provide two or more power supply modes for the device, otherwise it may cause damage to the device.

Statement

Please refer to the actual product for more details; the manual is just for reference.

The manual will be regularly upgraded according to the product update; the upgraded content will be added in the manual without prior announcement.

Please contact the supplier or customer service if there is any problem occurred when using the device.

Please contact the customer service for the latest procedure and supplementary documentation.

There may be deviation between the actual value of some data and the value provided in the manual due to the reasons such as the real environment is not stable and so on. Please refer to the company's final explanation if there is any doubt or dispute.

The company is not liable for any loss caused by the operation which is not followed by the manual.

1 General Introduction

1.1 Overview

This series HDAVS camera conforms to the HDAVS standard. It supports video signal high-speed long distance transmission without any delay. It can be controlled by the HAVR.

1.2 Features

- High-performance CMOS image sensor, megapixel definition.
- Support HD video/control signal transmission over the same coaxial cable.
- For 720P series, support 75-3 coaxial cable transmission without any loss. The distance is over 800m. For 1080P series, support 75-3 coaxial cable transmission without any loss. The distance is over 500m.
- High speed, long distance real-time transmission.
- Support HDAVS HD and analog SD switch output. (low-end series supports HDAVS HD video output)
- Support 3D noise reduction (not supported by low-end series), excellent low illumination performance.
- Support ICR switch to realize surveillance both in the daytime and at night.
- Support OSD (on-screen display) menu to adjust parameters. (not supported by low-end series)
- Support smart IR function.
- Support DC12V power supply. (Customized models support DC12V/AC24V power supply).
- Support IP67 compliance.
- Can be applied to road, warehouse, underground parking lot, bar, pipeline and other places with darker light or no light.

2 Device Framework

See Figure 2-7 for the dimension.

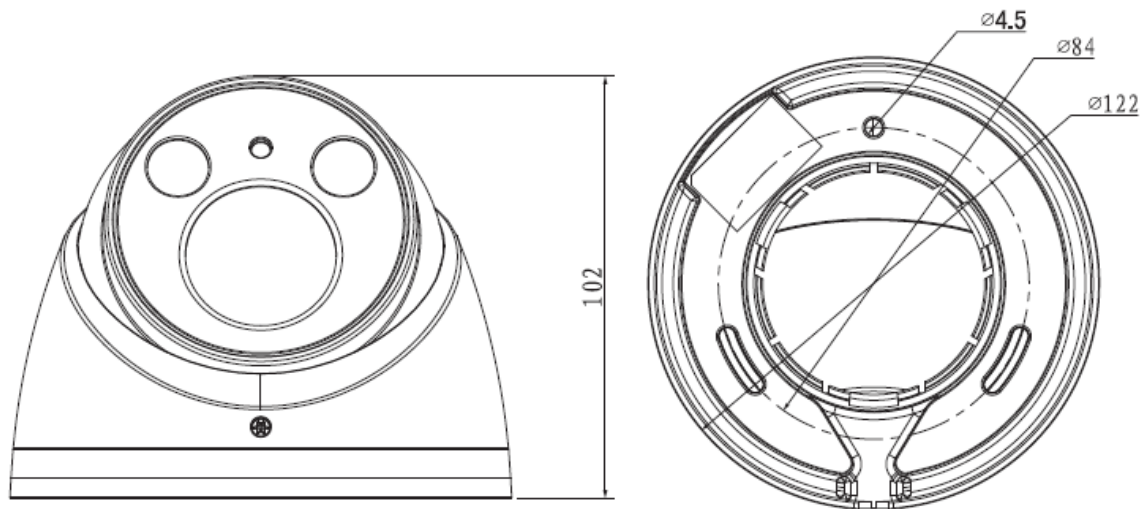


Figure 2-1

See Figure 2-2 for the structure components.

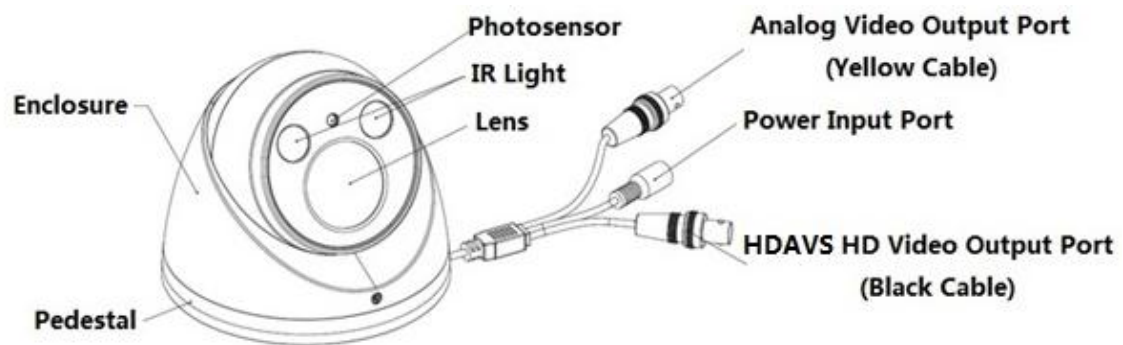


Figure 2-2

Note:

- When it is short circuit HD/SD switch control cable (if yes), it will realize the switch from HD video output to SD video output. On the contrary, open circuit control cable will switch back to HD video output.
- When the dome camera outputs SD video, the camera doesn't support OSD menu operation (motorized vari-focal series excluded).

3 Installation

Dome camera mainly uses ceiling installation; installation surface includes ceiling and wall.

Attention:

- Before the installation, please make sure the installation surface is thick enough to sustain at least 3X weight of the camera.
- For the installation mode of side outlet, make sure the direction of side outlet is in accordance with that of the installation position map when sticking the installation position map. Besides, pull the cable through the pedestal cable slot before locking the screw.

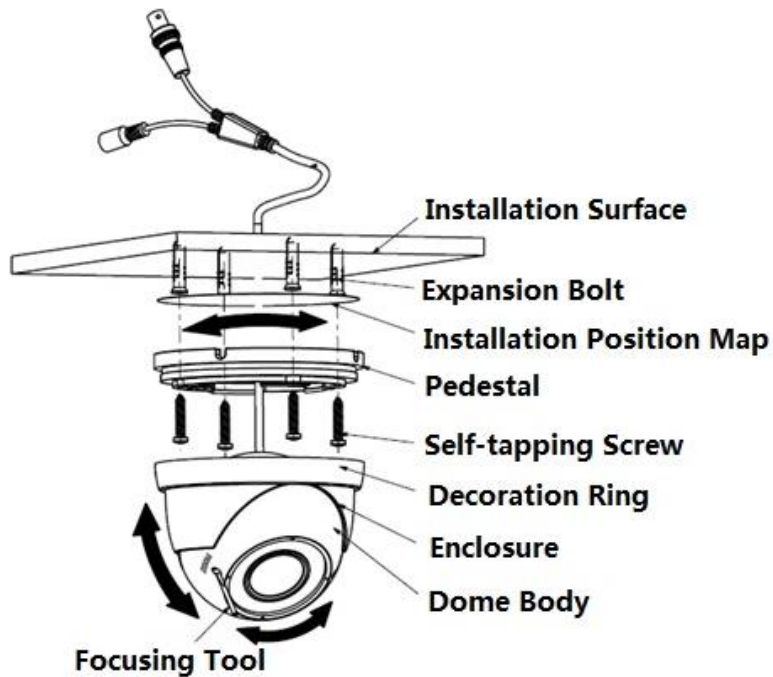


Figure 3-1

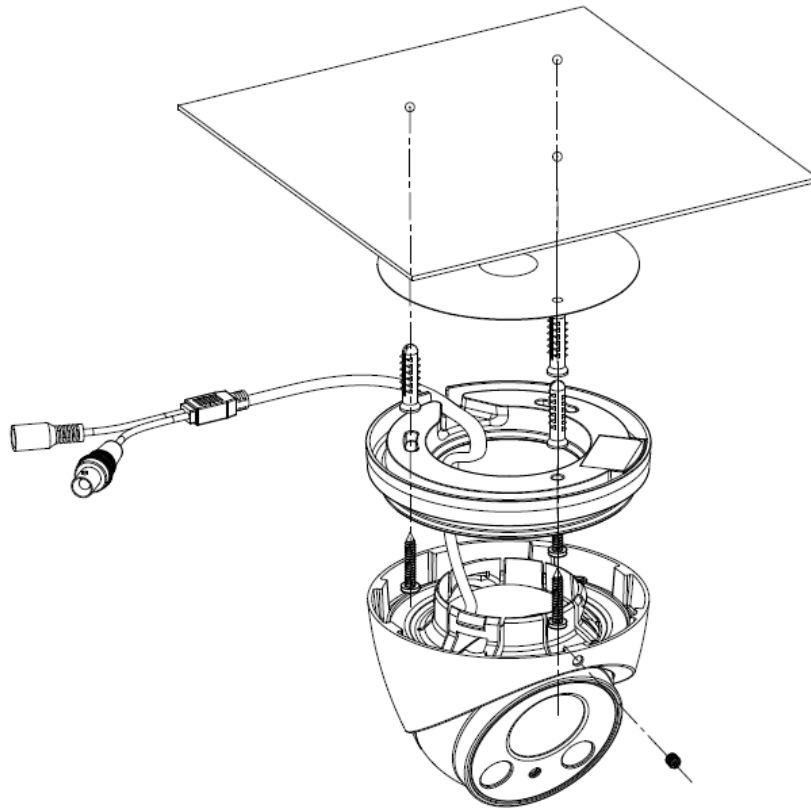


Figure 3-2

Step 1

Take out the installation position map from the accessories bag, stick it on the ceiling or wall according to the outlet location, dig holes according to the marks on the installation position map, take out the expansion bolts from the accessories bag and insert the expansion bolts into the installation holes and secure them firmly.

Step 2

Unscrew the decoration ring and take down the enclosure and dome body.

Step 3

Adjust the dome pedestal location according to the clients' requirement of top outlet or side outlet, pull out the cable from the side cable slot between installation surface and pedestal (please skip this step if it is top outlet), aim the screw fixing holes on the pedestal at the expansion bolt fixing holes on the installation surface, then tighten the four self-tapping screws into the expansion bolts and fix them firmly, fix the pedestal on the installation surface.

Step 4 Install enclosure and dome body

- If it is manual vari-focal dome, Aim the decoration ring together with the enclosure and dome body at the pedestal upward, pull the cable through the outlet on the installation surface (please skip this step if it is side outlet), then rotate the decoration ring and fix the enclosure and the dome body on the pedestal.
- If it is motorized vari-focal dome, then aim the enclosure and dome body at the pedestal upward, pull the cable through the outlet on the installation surface (please skip this step if

it is side outlet), make the buckle of enclosure stuck into the pedestal , tighten the set screw and fix the enclosure on the pedestal.

Step 5

Adjust the camera to a proper location for monitoring via rotating the enclosure and the dome body.

Step 6

Connect the video output port of the device cable to the back-end HAVR device, and connect the power port of the device cable to power.

Step 7

Adjust lens focal length and zoom. Make image clear via adjusting lens focal length by focusing tool.

So far, the device installation and cable connection are completed, users can view monitoring image via back-end encoding device.

Note:

The figures above are for reference only, please refer to the actual product for more details.

4 Menu

4.1 HAVR Settings

This HDAVS camera series can adjust OSD menu via coaxial control. After connected the camera to the HAVR, from Main Menu->Setting->System->PTZ, you need to select the channel number for access and set control mode as HDAVS and the protocol as ICR-SD1. Click "Save" button to save current setup. See Figure 4-1.

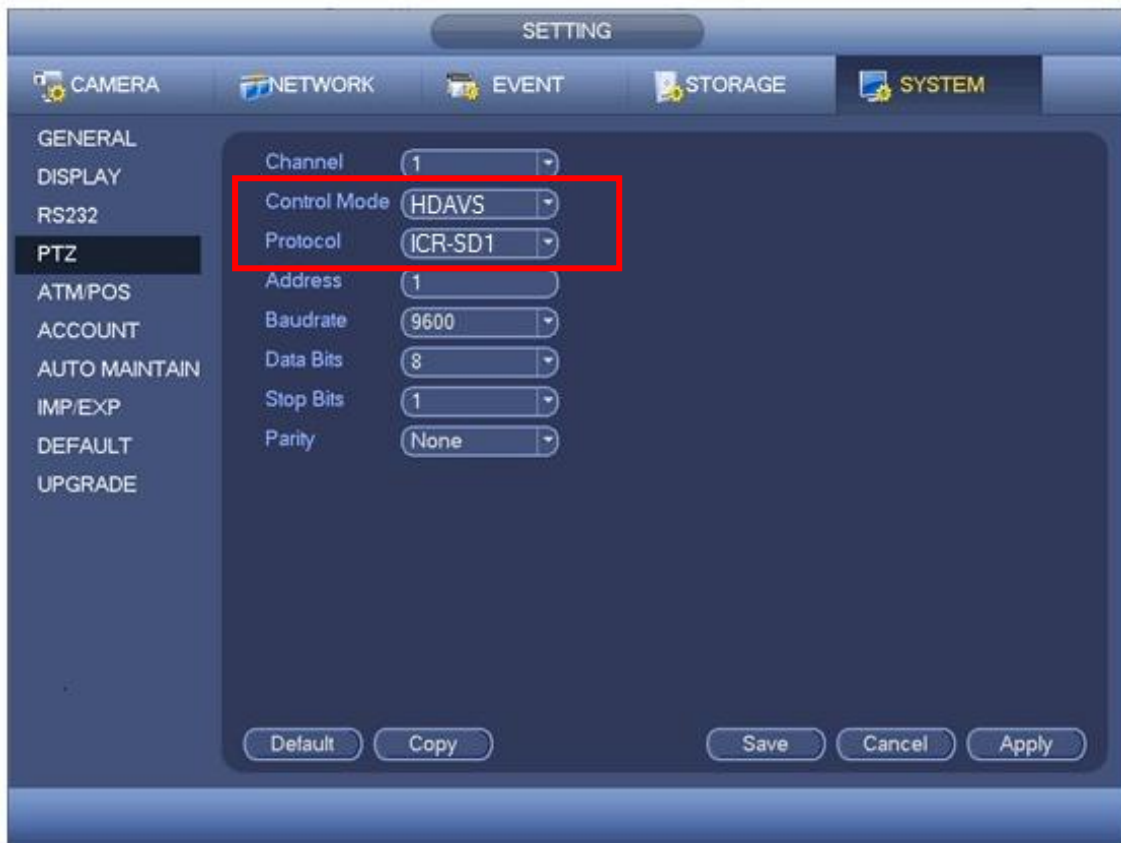


Figure 4-1

4.2 Menu Operation

Click the right mouse button and select "PTZ Control", then you will see the "PTZ Setup" menu, which is as shown in Figure 4-2 and Figure 4-3.



Figure 4-2



Figure 4-3

See Sheet 4-1 for the details of button functions.

Button	Function	
	Open menu	
	Select menu item	
	Select menu value	
	Adjust lens zoom and auto trigger focus	Note: Some of the buttons can only be applied for the motorized vari-focal camera.
	Adjust lens focus	
	Auto focus under current zoom	
	Lens reset	

Sheet 4-1

If there is “↵”, click iris “+” or the “Confirm” button in “Menu Operation” interface to go to the 2nd menu. Click “Return” button to go back to the previous menu interface.

Appendix I Maintenance

Attention:

Please maintain the device according to the following instructions in order to ensure the image effect and long-term stable operation of the device.

Maintenance for lens and mirror surface

The lens and mirror surface are covered with antireflection coating, so it may produce hazardous substance and lead to performance reduction or scratch, dimness etc when it is stained with dust, grease, fingerprint and so on, please refer to the following methods to deal with once dirt is found:

Stained with dirt

Use oil-free soft brush or hair dries to remove it gently.

Stained with grease or fingerprint

Use soft cloth to wipe the water drop or oil gently to make it dry, then use oil-free cotton cloth or paper soaked with alcohol or detergent to wipe from the lens center to outward. It is ok to change the cloth and wipe several times if it is not clean enough.

Camera Body Maintenance

Use a soft dry cloth to clean the camera body when it is dirty, in case the dirt is hard to remove, use a clean dry cloth soaked with mild detergent and wipe gently, make it dry later. Don't use volatile solvent like alcohol, benzene, thinner and etc or strong detergent with abrasiveness, otherwise it will damage the surface coating or reduce the working performance of the device.

Maintenance for Dome Cover

Dome cover is an optical device, please don't touch or wipe cover surface directly during installation and use, please refer to the following methods to deal with once dirt is found:

Stained with dirt

Use oil-free soft brush or hair dries to remove it gently.

Stained with grease or fingerprint

Use soft cloth to wipe the water drop or oil gently to make it dry, then use oil-free cotton cloth or paper soaked with alcohol or detergent to wipe from the lens center to outward. It is ok to change the cloth and wipe several times if it is not clean enough.

Note

- **This manual is for reference only. Slight difference may be found in the user interface.**
- **All the designs and software here are subject to change without prior written notice.**
- **All trademarks and registered trademarks mentioned are the properties of their respective owners.**
- **If there is any uncertainty or controversy, please refer to the final explanation of us.**
- **Please visit our website or contact your local service engineer for more information.**