

HDAVS IR Vari-focal Bullet Camera User's Manual

Version 1.0.0

Table of Contents

1	General Introduction	1
1.1	Overview	1
1.2	Features	1
2	Framework and Dimensions	2
3	Installation	4
4	Menu	6
4.1	HAVR Settings	6
4.2	Menu Operation	6
	Appendix Maintenance	8

Welcome

Thank you for purchasing our HDAVS camera!

This user's manual is designed to be a reference tool for your system.

Please read the following safeguard and warnings carefully before you use this series product!

Please keep this user's manual well for future reference!

Important Safeguards and Warnings

1 . Electrical safety

- All installation and operation here should conform to your local electrical safety codes.
- Please check if the power supply is correct before operating the device.
- The power shall conform to the requirement in the SELV (Safety Extra Low Voltage) and the Limited power source is rated DC 12V or AC24V in the IEC60950-1. (Power supply requirement is subject to the device label).
- Please install easy-to-use device for power off before installing wiring, which is for emergent power off when necessary.
- Please prevent the line cord from being trampled or pressed, especially the plug, power socket and the junction from the device.

Note: Do not connect these two power supplying sources to the device at the same time; it may result in device damage!

- We assume no liability or responsibility for all the fires or electrical shock caused by improper handling or installation.
- We are not liable for any problems caused by unauthorized modification or attempted repair.

2 . Environment

- Please don't aim the device at strong light (such as lighting, sunlight and so on) to focus; otherwise it may cause overexposure (It is not the device malfunction), which will affect the longevity of CCD or CMOS.
- Please transport, use and store the device within the range of allowed humidity and temperature.
- Please don't keep the device in a place which is wet, dusty, extremely hot, and extremely cold and with strong electromagnetic radiation or unstable lighting.
- Please do not allow water and other liquid falling into the camera in case that the internal components are damaged.
- Please do not allow rain or damp to the indoor device in case fire or lightning may occur.
- Please keep the sound ventilation in case of heat accumulation.
- Please pack the device with standard factory packaging or material with same quality when transporting the device.
- Heavy stress, violent vibration or water splash are not allowed during transportation, storage and installation.

3 . Warning

- Please use the standard accessories provided by manufacturer and make sure the device is installed and fixed by professional engineers.
- Please prevent the device surface from the radiation of laser beam when using laser beam device.
- Please do not provide two or more power supply modes for the device, otherwise it may cause damage to the device.

4 . Statement

- Please refer to the actual product for more details; the manual is just for reference.
- The manual will be regularly upgraded according to the product update; the upgraded content will be added in the manual without prior announcement.
- Please contact the supplier or customer service if there is any problem occurred when using the device.
- Please contact the customer service for the latest procedure and supplementary documentation.
- There may be deviation between the actual value of some data and the value provided in the manual due to the reasons such as the real environment is not stable and so on. Please refer to the company's final explanation if there is any doubt or dispute.
- The company is not liable for any loss caused by the operation which is not followed by the manual.

1 General Introduction

1.1 Overview

This series megapixel HD camera conforms to the HDAVS standard. It supports video signal high-speed long distance transmission without any delay. It can be controlled by the HAVR.

1.2 Features

- High-performance CMOS image sensor, megapixel definition.
- Support HD video and control signal coaxial transmission.
- Default motorized zoom lens, support coaxial control and adjust lens focal length and zoom.
- Support 75-3 coaxial cable transmission without any loss. 720P series transmission distance over 800m, 1080P series transmission distance over 500m.
- High speed, long distance real-time transmission.
- Support HDAVSHD and analog SD dual output.
- Support 3D noise reduction, excellent low illuminance performance.
- Support ICR switch to realize monitoring both in daytime and at night.
- Support OSD menu adjustment parameters.
- Support intelligent IR function.
- Support DC12V power supply.
- IP67compliance.
- It can be applied to the places with HD image request, such as bank, supermarket, telecom, government, school, airport, factory, hotel and etc.

2 Framework and Dimensions

Please refer to the following figures for dimension information. The unit is mm.
See Figure 2-1 and Figure 2-2 for the dimension.

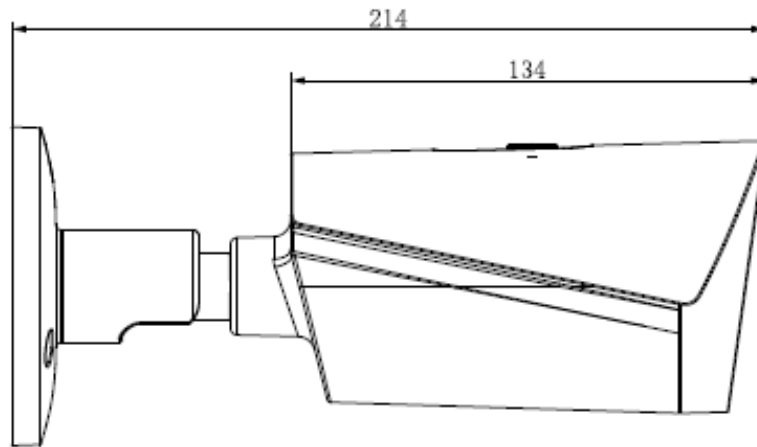


Figure 2-1

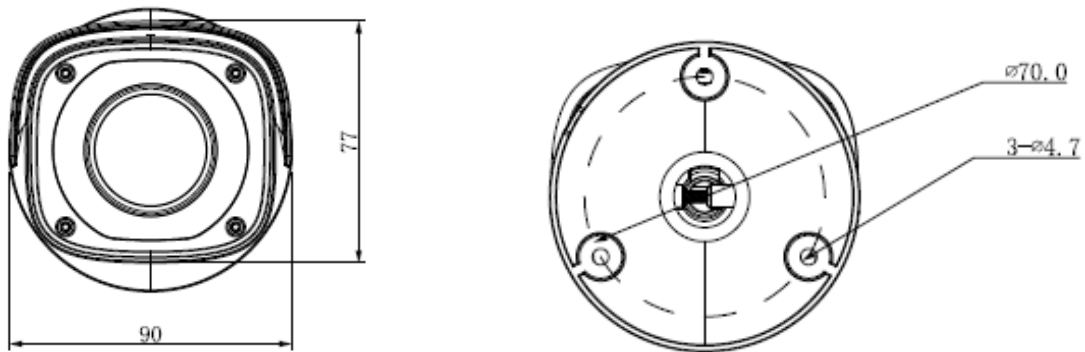


Figure 2-2

See Figure 2-3 and Figure 2-4 for the cable ports.

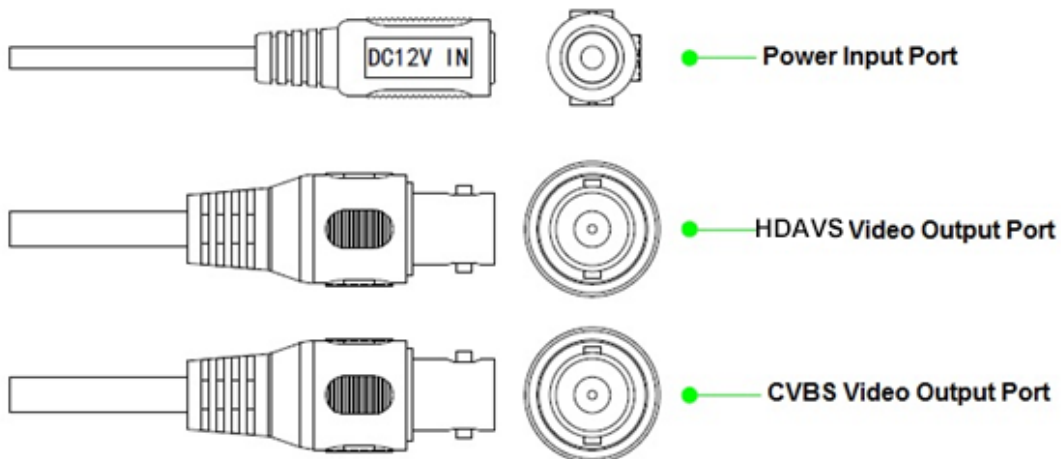


Figure 2-3

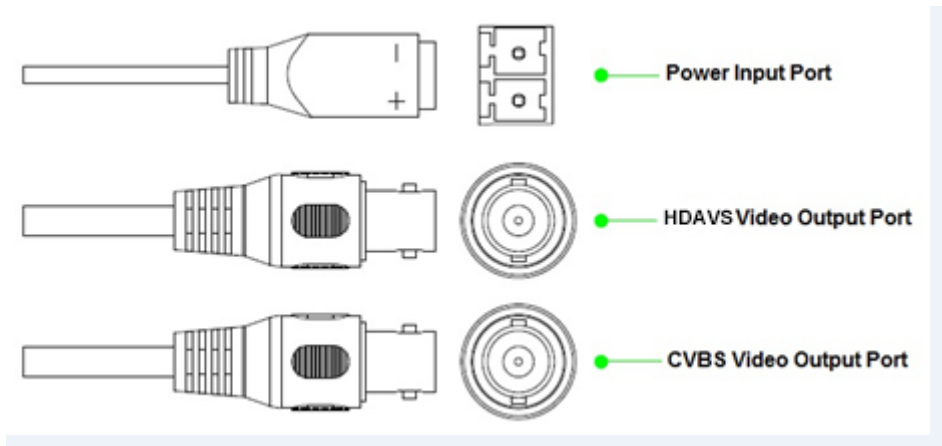


Figure 2-4

3 Installation

Important

- Before the installation, please make sure the installation surface should be thick enough to sustain at least 3X weight of the camera.

Step 1

Take out the installation position map from the accessories bag, stick it on the ceiling or wall according to the cable exit, dig holes on the installation surface according to the installation position map, and see Figure 3-1. Pull out the camera cable through the cable exit on the bracket pedestal, and install camera bracket.

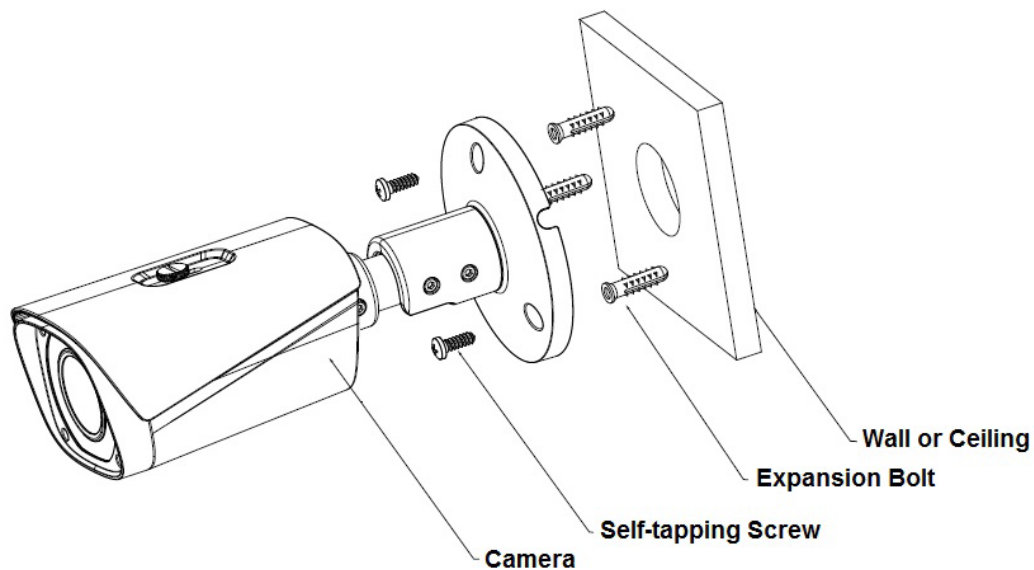


Figure 3-1

- If it is cement wall, it needs to install expansion bolt first (the installation holes of expansion bolt need to be in accordance with bracket), then use self-tapping screws to install bracket.
- If it is wooden wall, you can just skip the first step, use self-tapping screws to install bracket directly.

Step 2

Adjust the camera monitoring direction, loosen the M3 X 20 and M3 X 5 screws on the bracket according to the direction shown in Figure 3-2, adjust the camera to specific monitoring direction via rotating bracket and camera body, then fix the screws.

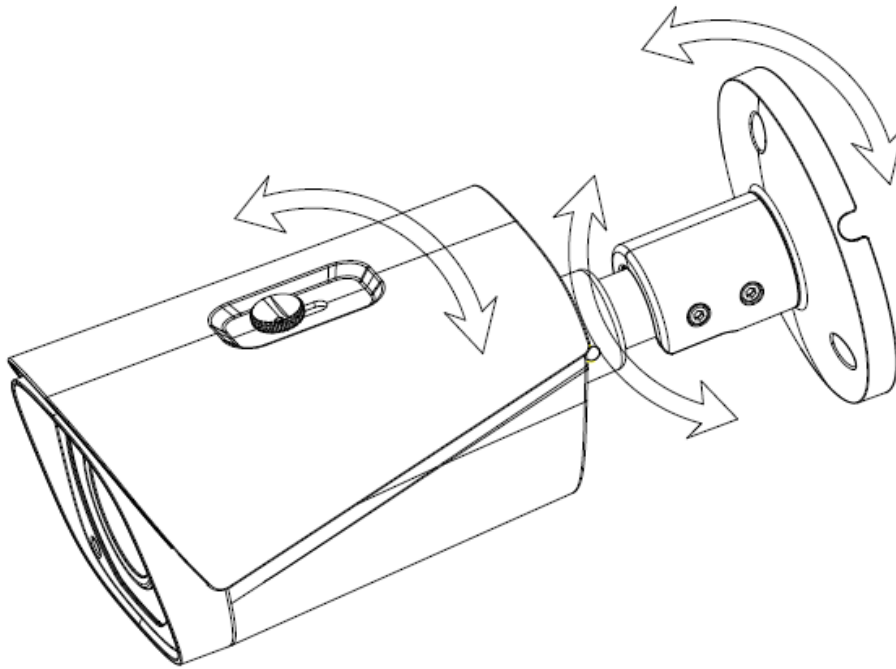


Figure 3-2

Step 3

Connect the video output port of device cable to the back-end HAVR device, and connect power port to power supply.

Step 4

Adjust camera zoom and focus, it needs to adjust lens zoom and focus on the back-end HAVR device to make the image clear.

Note:

The installation figures above are for reference only.

4 Menu

4.1 HAVR Settings

Note

The following operation and interfaces for reference only. Please refer to the HDAVS series DVR user's manual for detailed information.

This HDAVS camera series can adjust OSD menu via coaxial control. After connecting the camera to the HAVR, from Main Menu->Setting->System->PTZ, you need to set control mode as HDAVS and the protocol as ICR-SD1. Click "Save" button to save current setup. See Figure 4-1.

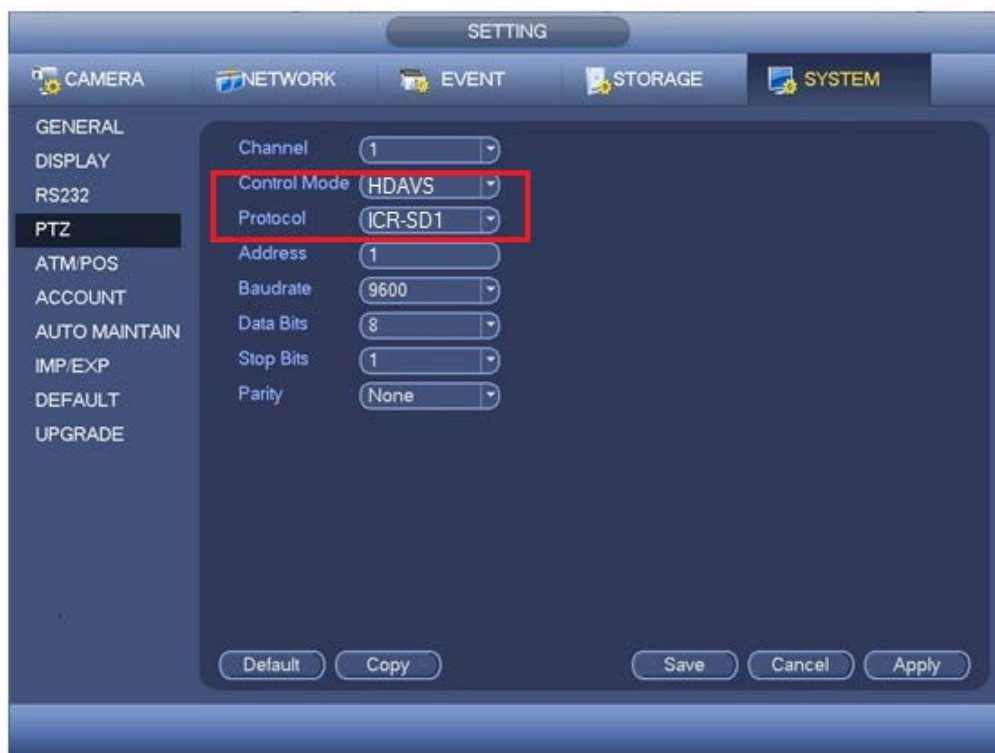


Figure 4-1

4.2 Menu Operation

Click the right mouse button and select "PTZ Control", then you will see the "PTZ Setup" menu, which is as shown in Figure 4-2 and Figure 4-3.

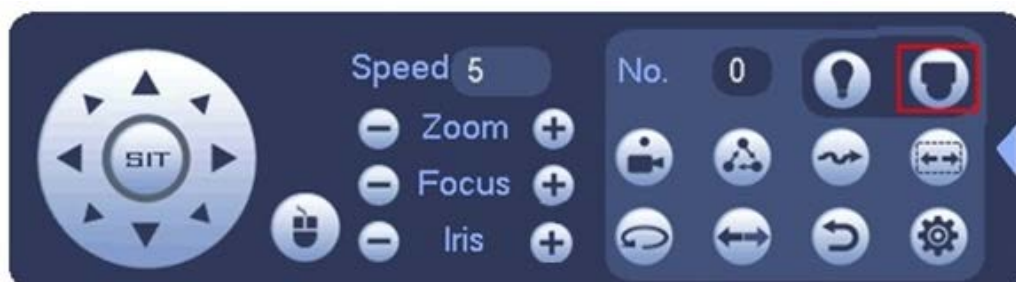


Figure 4-2



Figure 4-3

See Sheet 4-1 for the details of button functions.

Button	Function	
	Open menu	
	Select menu item	
	Select menu value	
	It is to adjust the lens zoom and auto trigger focus	Note: These buttons can only be applied to motorized vari-focal camera.
	It is to adjust the lens focus	
	Auto focus with current zoom rate	
	Lens reset	

Sheet 4-1

Click "Return" button to go back to the previous menu interface.

Appendix Maintenance

Attention:

Please maintain the device according to the following instructions in order to ensure the image effect and long-term stable operation of the device.

Maintenance for lens and mirror surface

The lens and mirror surface are covered with antireflection coating, so it may produce hazardous substance and lead to performance reduction or scratch, dimness etc when it is stained with dust, grease, fingerprint and so on, please refer to the following methods to deal with once dirt is found:

Stained with dirt

Use oil-free soft brush or hair dries to remove it gently.

Stained with grease or fingerprint

Use soft cloth to wipe the water drop or oil gently to make it dry, then use oil-free cotton cloth or paper soaked with alcohol or detergent to wipe from the lens center to outward. It is ok to change the cloth and wipe several times if it is not clean enough.

Camera Body Maintenance

Use a soft dry cloth to clean the camera body when it is dirty, in case the dirt is hard to remove, use a clean dry cloth soaked with mild detergent and wipe gently, make it dry later. Don't use volatile solvent like alcohol, benzene, thinner and etc or strong detergent with abrasiveness, otherwise it will damage the surface coating or reduce the working performance of the device.

Maintenance for Dome Cover

Dome cover is an optical device, please don't touch or wipe cover surface directly during installation and use, please refer to the following methods to deal with once dirt is found:

Stained with dirt

Use oil-free soft brush or hair dries to remove it gently.

Stained with grease or fingerprint

Use soft cloth to wipe the water drop or oil gently to make it dry, then use oil-free cotton cloth or paper soaked with alcohol or detergent to wipe from the lens center to outward. It is ok to change the cloth and wipe several times if it is not clean enough.

Note

- **This manual is for reference only. Slight difference may be found in the user interface.**
- **All the designs and software here are subject to change without prior written notice.**
- **All trademarks and registered trademarks mentioned are the properties of their respective owners.**
- **If there is any uncertainty or controversy, please refer to the final explanation of us.**
- **Please visit our website or contact your local service engineer for more information.**