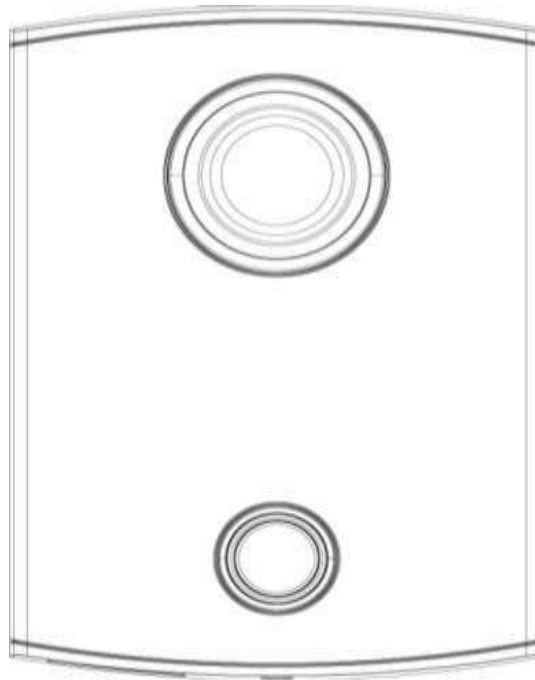


Cameras:

HD-IP

IC REALTIME SECURITY SOLUTIONS

IHC-6260: Door Phone IP Camera



Instruction Manual

IC REALTIME SECURITY SOLUTIONS

IHC-6260 IP Camera Instruction Manual

© IC Realtime
3050 N Andrews Ave Ext
Pompano Beach, FL 33064
Phone 954.772.5327 • Fax 866.860.3860

Table of Contents

1. Features and Specifications.....	1
a. Overview.....	1
b. Features.....	1
c. Specifications.....	3
d. Dimensions.....	4
2. Camera Installation.....	6
a. General Overview.....	6
b. Step by Step Guide.....	7
c. Connections & Door Lock.....	8
3. Web Operation.....	9
a. Network Connection.....	9
b. Logging In, and Main Interface.....	10
c. Pairing with Indoor Monitor.....	11
4. Appendices.....	13
a. Toxic or Hazardous Elements.....	13

Features and Specifications

This section outlines the primary features of the ICR realtime IHC-6260 IP Camera. It also outlines basic Architectural and Engineering specifications.

1.a Overview

This IC Realtime series product is a high resolution IP Camera designed for use as a door phone. It **T**adopts an embedded Linux operating system to maintain reliable, 24/7 operation. Utilizing both H.264 video compression and G.711 audio compression technology enables the highest quality of recorded audio/video, while maintaining the lowest bitrate utilization.

The IHC-6260 is a IP Camera with an integrated microphone designed to be incorporated with a Intercom System. This IPC is fully suited for full operation as part of ICR realtime's Intercom solution. It can be paired to one of our ICR Network Video Recorders to add a great duration of recorded video.

The WVGA (800x480) recording resolution and wide angle lens design makes this IPC well equipped for installation in various institutions ranging from residential, commercial, governmental, and enterprise environments.

1.b Features

IC Realtime IHC-6260 series IP Cameras all support the following features:

- **Real-time Monitoring**

This IP Camera records WVGA (800x480) video at a full 30 FPS.

- **Secure Archiving**

Audio Video data is compressed and packaged into a secure, and proprietary video format (.dav files). This bolsters archived video integrity, and prevents vicious data manipulation. Video is also watermarked with special data for evidentiary purposes.

- **Compression Format**

H.264 video and G.711 audio enables high quality video recording while maintaining the lowest file sizes possible.

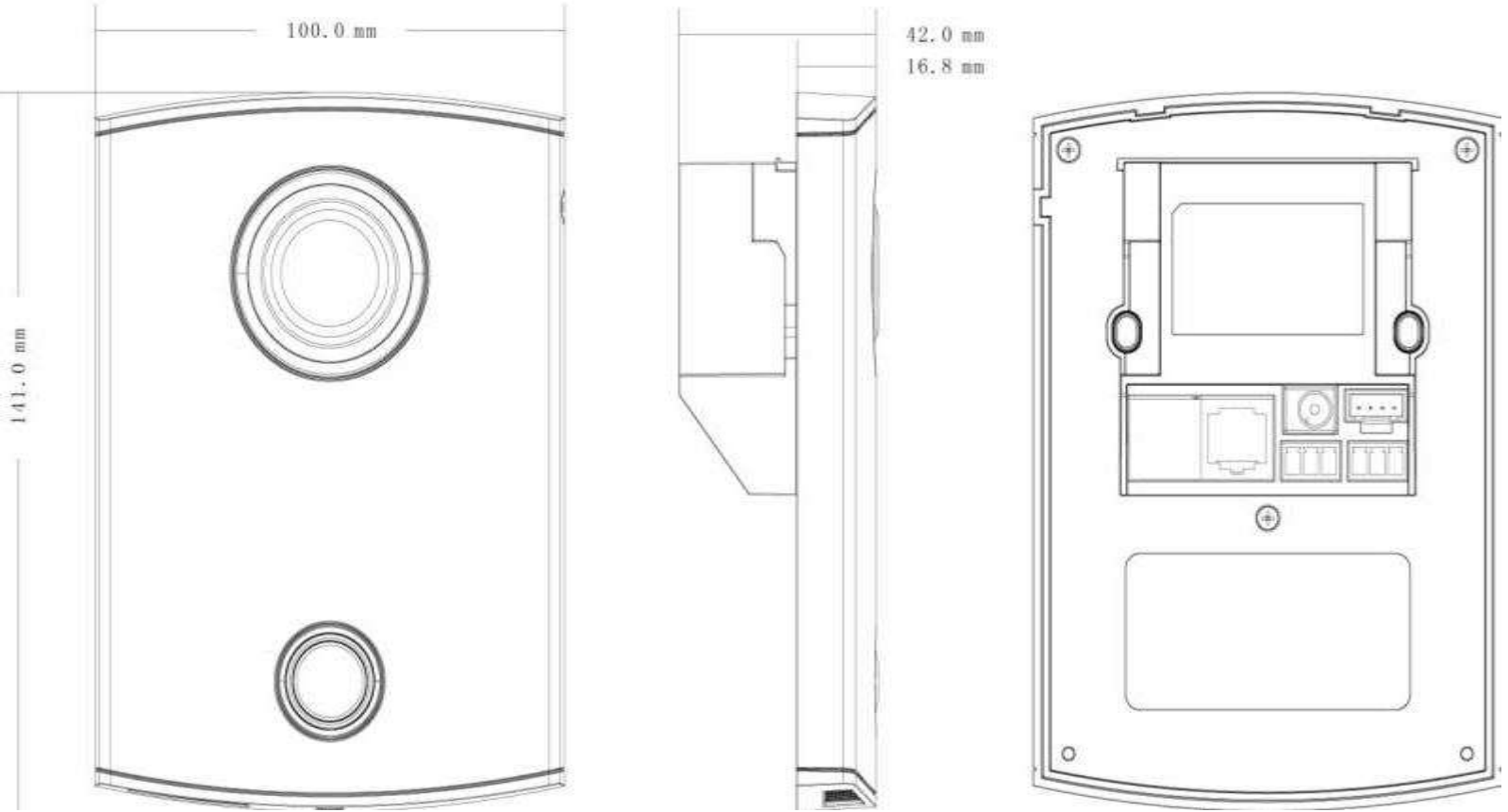
- **Network Operation**

Full system control is available with over the network. Client software is available for both Mac and PC systems.

1.c Specifications

Mode		IHC-6260
System	Main Processor	Embedded micro processor
	Operation System	Embedded LINUX OS
Video	Video Compression Standard	H.264
	Input/Approaching Induction	WVGA CMOS HD camera
	Back Light	Support
Audio	Audio Input	Omnidirection Microphone
	Audio Output	Built-in loudspeaker
	Bidirectional Talk	Support bidirectional talk
Operation Mode	Input	One-key input (with back lighting)
Alarm and Access Control	Vandal proof	Support
Network	Ethernet	10M/100Mbps Self-adaptive
	Network Protocol	TCP/IP
Storage	Memory	N/A
General	Power	DC 10~15V
	Power Consumption	Standby ≤1W, work ≤10W
	Working Environments	-10℃ – +60℃, 10~95% RH
	Dimensions	141.0mm*100.0mm*16.8mm (L*W*T) ;
	Weight	0.8Kg

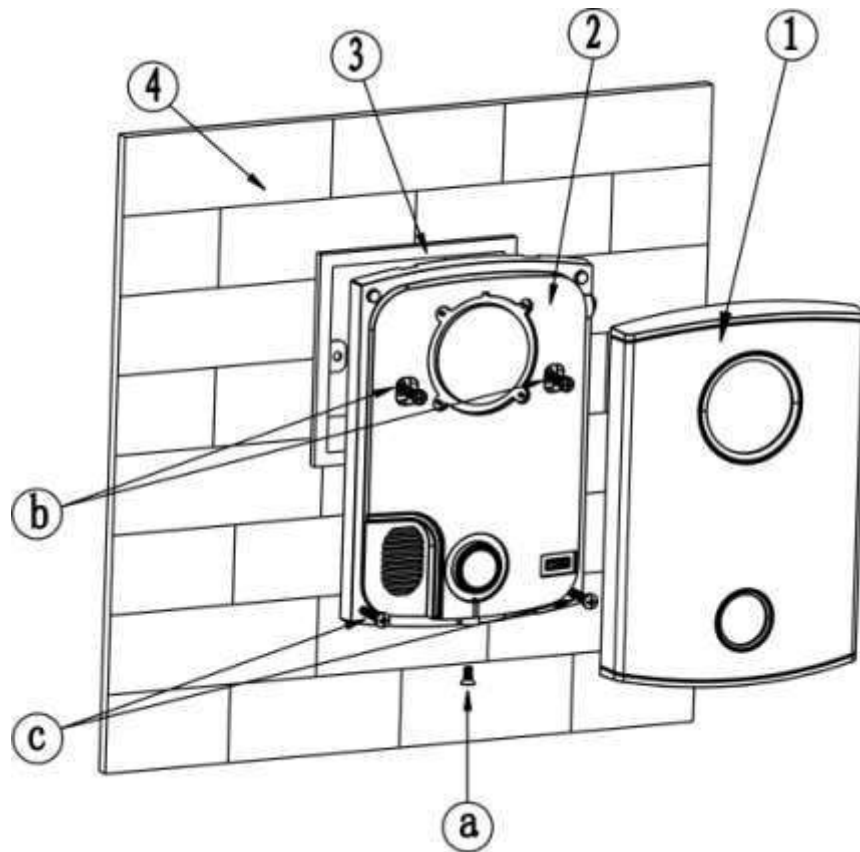
1.d Dimensions



Camera Installation

This section outlines the proper way to mount and install an IHC-6260 series IP Camera. The suitable method of installing the IPC are limited to Wall installations only. Note that hardware including screws and anchors are included for the camera installation.

2.a General Overview



2.b Step by Step Guide



Note: Reference the labeled table below for screw type

- **Step 1: Remove front plate cover**

Begin by taking off the front plate of the camera. There will be one (1) small screw (a) at the bottom of the lip of the camera. The plate should pop off.

- **Step 2: Cut out hole in wall**





You will need to trace out a box at the installation point so the back end with your connections fit flush to the wall. You may use a gang box conceal the surrounding connections.

- **Step 3: Test fitting and fasten to wall**

Assure the camera fits flush to the wall and aligns with your installation points. Use the included anchors (d) to install in the wall. Use the two (2) screws (b) to fasten from the two holes by the cameras lens in to the wall.

- **Step 4: Replace dome cover**

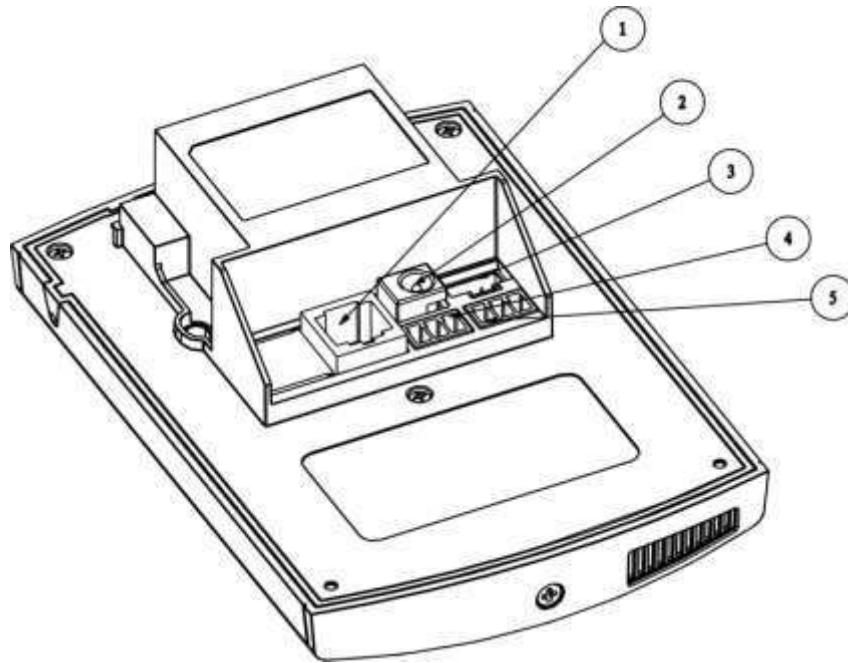
Lastly, make sure the camera is well placed and it firmly tightened to the wall. Replace the front plate and use the one (1) small screw (a) to attach back to the body of the camera

Screw Notes		
No.	Name	Illustration
a	M3x8 Cross recessed countersunk head-black zinc	
b	M4x30 Cross recessed pan head screws	
c	ST3x18 Cross recessed pan head tapping screws –white alloy	
d	Expansion pipe \varnothing 6*30mm white	

2.c Connections and Door Lock



Note: This section mainly references how to use a door locking mechanism with our IHC-6260. This is more over a part of the complete Intercom System we offer. Please reference our other guides for a complete setup. <http://www.icrealtime.com/forum>(click on how-to notes and then 'Access Control')



No.	Port Name	Description
1	Network port	RJ45 Port. Network Connection
2	Power supply port	Connect to 12V DC.
3	Test port	For Testing/Debugging
4	Green port 1	Connects to Door Lock Mechanism
5	Green port 2	Connects to Alarm Sensors / Door Sensor

- Door Lock Triggering

Note that the terminal for No. 5 is used to unlock/lock an electronic door strike (door lock). Once the camera is paired to a indoor monitor, you can use a one touch button to release the door lock that is rigged to this terminal. This can be used for an extra layer of protection as you can see and talk to the person before allowing them through a door. Below are the terminals involved in connecting your dock lock.

NO - Normally Open (dry contact) GND - Ground (Ground to Ground)

NC - Normally Closed (dry contact) **Reference your door lock instructions for a more detailed info**

Web GUI Operation

This section outlines how to assign an IP address to the camera, and how to access and control the IPC via it's built in Web Interface.

3.a Network Connection

- **Step 1: Ensure the Camera is physically connected to your Network, and Powered ON.**

Patch the IP Camera into your network with a standard Ethernet cable. Provide the camera with power via 12VDC power input jack.

- **Step 2: Assign an IP address to the IP Camera.**

The IHC-6260 Series camera (and all ICRealtime Intercom based IP Cameras) have a factory default static IP address of **10.22.5.189**. If this matches the same subnet as your LAN, you will be able to login to the camera by typing this address into your browser (assuming that the IP address does not conflict with another device on your network).

Alternatively, you can use our IP Auto Search utility to rapidly find and change IP addresses for IC Realtime series IP Cameras. The utility is available on our support page at :

<http://www.icrealtime.com/docs/IPAutoSearch.zip>

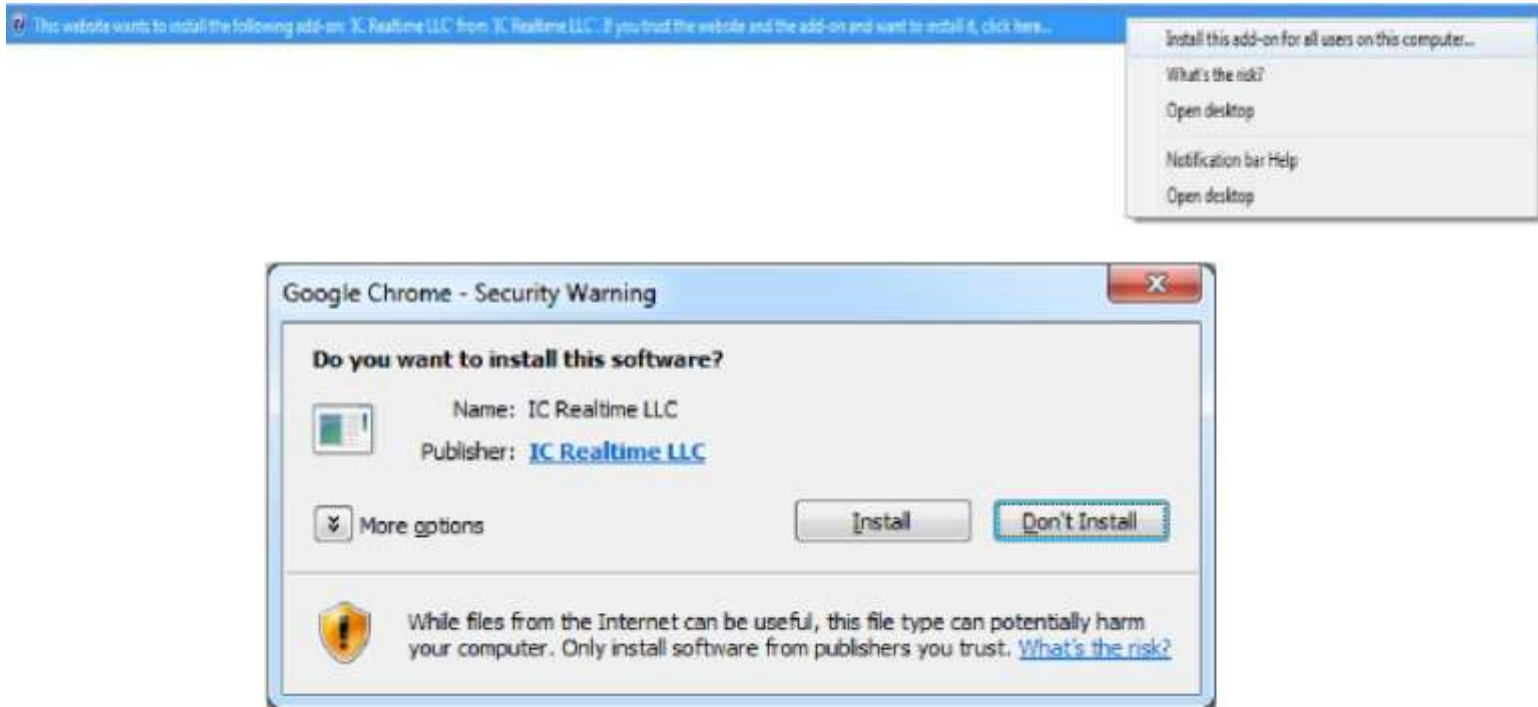
3.b Logging In, and Main Interface

- **Step 1: Open up your Web Browser (Safari, Chrome, Firefox, or IE) and input the IP address of your IP camera.**

In Example, open Safari and browse to <http://10.22.5.189>

- **Step 2: Follow the on screen prompts to install the plugin**

When you first access the IP Camera over your web browser, you will be prompted to install the plugin. See below:



- **Step 3: Login to the camera with the default credentials**

By default, the username is 'admin' and the password is 'admin' (case sensitive). It is always strongly recommended to change the default passwords after the initial setup. The camera's login page should appear as below:

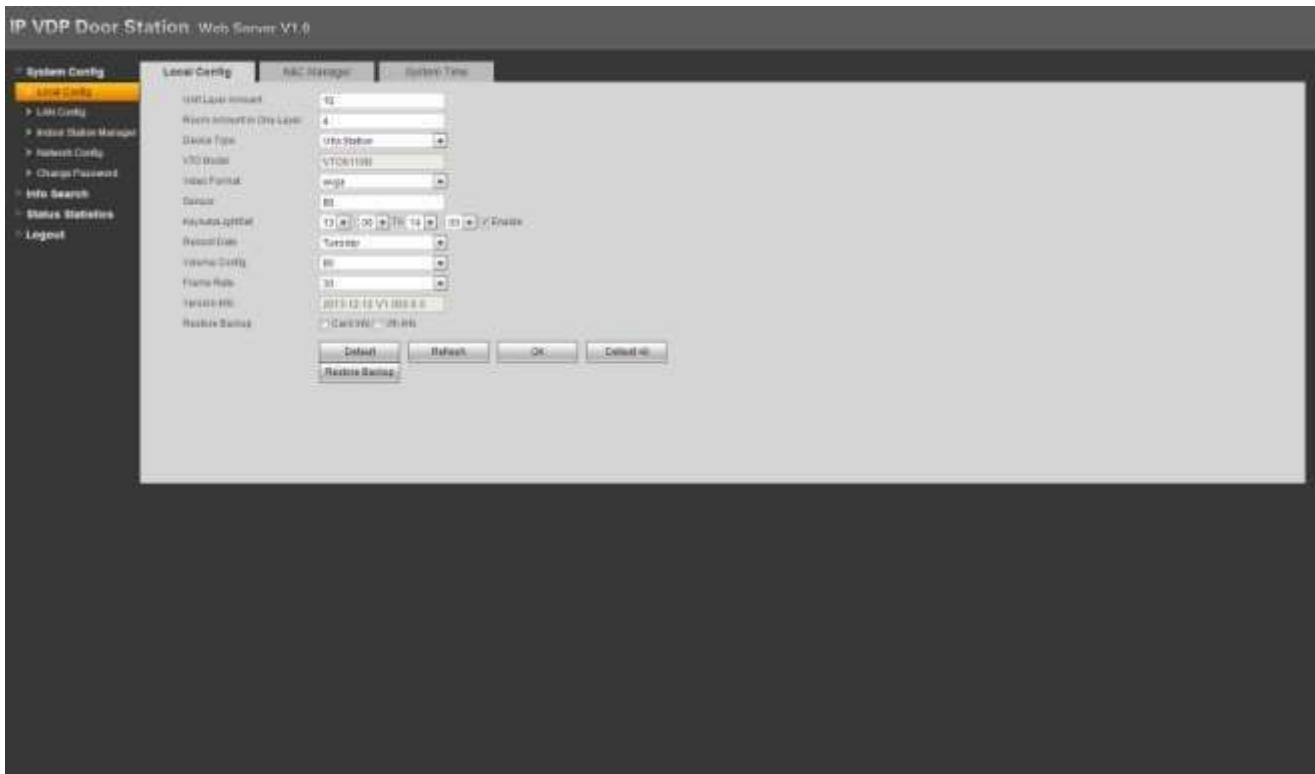


3.c Pairing with Indoor Monitor

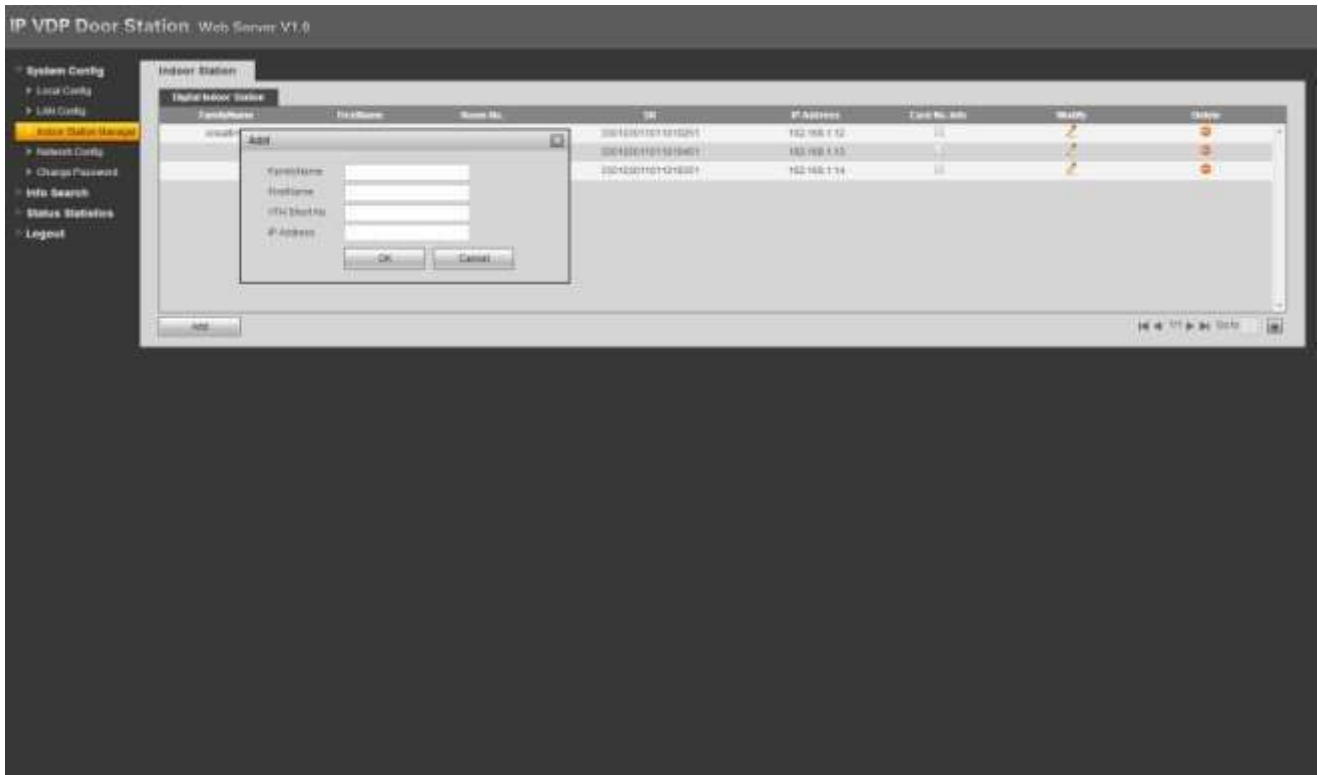


Note: This section mainly references how to sync the IHC-6260 with an indoor monitor to complete an intercom setup. Note that this will reference your indoor monitor setup. Be sure the monitor is online and ready to be used on the network. Please reference our other guides for a complete setup. <http://www.icrealtime.com/forum>(click on how-to notes and then 'Access Control')

- First start with accessing the IHC-6260 as followed by the previous chapter instructions. You should be greeted by a screen like below.



- Click on the menu option of '**Indoor Station Manager**'. This is where you will be adding your indoor monitor so they are paired to each other. If you see a 'demo' monitor already added, click the icon under '**delete**' to rid of it.
- Next, click on the '**add**' button at the bottom of the table. Add in a name for the family/location you are installing for (this is simply for organizational purposes). Add the short number of the indoor monitor (see indoor monitor walkthrough for more detail). Finally, add the IP address of the indoor onitor.



- You should now see the added indoor monitor information on the table. You will now need to access the indoor monitor to add the IP address of this camera so to complete the repair. Please see more information about this in our how-to guide section of our forum (<http://www.icrealtime.com/forum>)

Appendix: Toxic or Hazard Materials Report

Component Name	Toxic or Hazardous Materials or Elements					
	Pb	Hg	Cd	Cr VI	PBB	PBDE
Circuit Board Component	○	○	○	○	○	○
Device Case	○	○	○	○	○	○
Wire and Cable	○	○	○	○	○	○
Packing Components	○	○	○	○	○	○
Accessories	○	○	○	○	○	○

O: Indicates that the concentration of the hazardous substance in all homogeneous materials in the parts is below the relevant threshold of the SJ/T11363-2006 standard.

Note

- This user manual is intended for reference only. Slight differences may be found in the user interface as products continually develop.
- All designs and software herein are subject to change without prior written consent.
- All trademarks and registered trademarks mentioned are the properties of their respective owners.
- Please visit <http://www.icrealtime.com> for more information.