

A Series HD Wi-Fi Network Camera

Quick Start Guide

Welcome

Thank you for purchasing our network camera!

This quick start guide is designed to be a reference tool for your system.

Please keep this start guide well for future reference.

Please open the accessory bag to check the items one by one in accordance with the list below.

Contact your local retailer ASAP if something is missing or damaged in the bag.

Important Safeguards and Warnings

1 . Electrical safety

All installation and operation here should conform to your local electrical safety codes.

Please check if the power supply is correct before operating the device.

The power shall conform to the requirement in the SELV (Safety Extra Low Voltage) and the Limited power source is rated 12V DC, DC5V or AC24V in the IEC60950-1. (Power supply requirement is subject to the device label).

Please install easy-to-use device for power off before installing wiring, which is for emergent power off when necessary.

Please prevent the line cord from being trampled or pressed, especially the plug, power socket and the junction from the device.

Note: Do not connect these two power supplying sources to the device at the same time; it may result in device damage!

We assume no liability or responsibility for all the fires or electrical shock caused by improper handling or installation.

We are not liable for any problems caused by unauthorized modification or attempted repair.

2 . Environment

Please don't aim the device at strong light (such as lighting, sunlight and so on) to focus; otherwise it may cause overexposure (It is not the device malfunction), which will affect the longevity of CCD or CMOS.

Please transport, use and store the device within the range of allowed humidity and temperature.

Please don't keep the device in a place which is wet, dusty, extremely hot, and extremely cold and with strong electromagnetic radiation or unstable lighting.

Please do not allow water and other liquid falling into the camera in case that the internal components are damaged.

Please do not allow rain or damp to the indoor device in case fire or lightning may occur.

Please keep the sound ventilation in case of heat accumulation.

Please pack the device with standard factory packaging or material with same quality when transporting the device.

Heavy stress, violent vibration or water splash are not allowed during transportation, storage and installation.

3. Operation and Daily Maintenance

Please do not touch the heat dissipation component of the device directly in order to avoid scald. Please do not dismantle the device; there is no component which can be fixed by users themselves in the machine. It may cause water leakage or bad image for the device due to unprofessional dismantling. It is recommended to use the device with thunder proof device in order to improve thunder proof effect. The grounding holes of the product are recommended to be grounded to further enhance the reliability of the camera.

Do not touch the CCD (CMOS) optic component directly. You can use the blower to clean the dust or dirt on the lens surface. Please use a dry cloth wetted by alcohol to wipe away the dust gently if it is necessary to clean.

Always use the dry soft cloth to clean the device. If there is too much dust, please use the water to dilute the mild detergent first and then use it to clean the device. Finally use the dry cloth to clean the device. Don't use volatile solvent like alcohol, benzene, thinner and etc or strong detergent with abrasiveness, otherwise it will damage the surface coating or reduce the working performance of the device.

Dome cover is an optical device, please don't touch or wipe cover surface directly during installation and use, please refer to the following methods to deal with once dirt is found:

Stained with dirt

Use oil-free soft brush or hair dries to remove it gently.

Stained with grease or fingerprint

Use soft cloth to wipe the water drop or oil gently to make it dry, then use oil-free cotton cloth or paper soaked with alcohol or detergent to wipe from the lens center to outward. It is ok to change the cloth and wipe several times if it is not clean enough.

Warning

Please use the standard accessories provided by manufacturer and make sure the device is installed and fixed by professional engineers.

Please prevent the device surface from the radiation of laser beam when using laser beam device.

Please do not provide two or more power supply modes for the device, otherwise it may cause damage to the device.

Statement

Please refer to the actual product for more details; the manual is just for reference.

The manual will be regularly upgraded according to the product update; the upgraded content will be added in the manual without prior announcement.

Please contact the supplier or customer service if there is any problem occurred when using the device.

Please contact the customer service for the latest procedure and supplementary documentation.

There may be deviation between the actual value of some data and the value provided in the manual due to the reasons such as the real environment is not stable and so on. Please refer to the company's final explanation if there is any doubt or dispute.

The company is not liable for any loss caused by the operation which is not followed by the manual.

Before installation, please open the package and check all the components are included. Contact your local retailer ASAP if something is broken in your package.

Accessory Name	Amount
Network Camera Unit	1
Quick Start Guide	1
Installation Accessories Bag	1
Installation Pedestal	1
CD	1

Table of Contents

1	Structure	1
1.1	Structure Info.....	1
1.2	Framework and Dimension	2
2	Device Installation	4
2.1	Installation Steps	4
3	Device Configuration.....	5
3.1	Device Configuration Steps	5
3.2	Restore Factory Default Setup Introduction.....	8
4	Network Configuration	9
4.1	Modify IP Address	9
4.2	Login WEB Interface	10

1 Structure

1.1 Structure Info

You can refer to the following figure for structure information. See Figure 1-1.

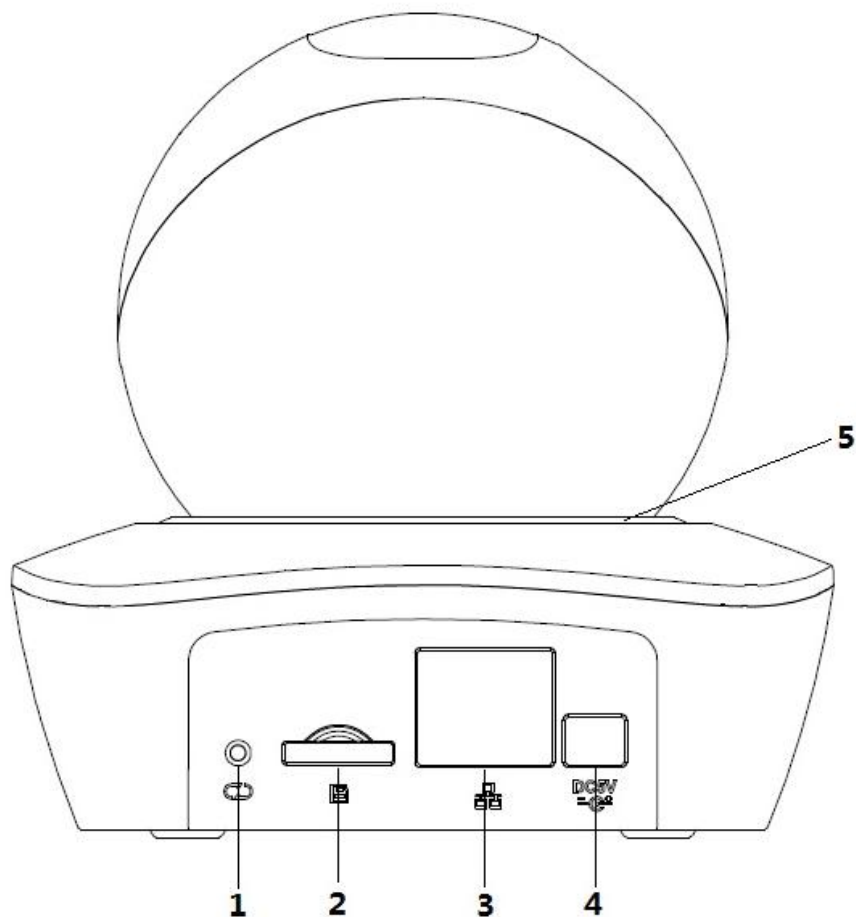


Figure 1-1

Please refer to the following sheet for detailed information.

SN	Name
1	Reset/WPS button (For reset, long press for 8 seconds; for WPS, one quick press)
2	SD card slot
3	Network port
4	Power port
5	Indicator light

Sheet 1-1

Please refer to the following sheet for more details about indicator light.

Indicator light status	Device status
Red light spinning	Device activating
Green light spinning	Device matching
Yellow light breathing	Device network connection failure
Blue light spinning	Device connection success (network connection)
Red light flashing	Device upgrading
Red light breathing	Device alarm

Sheet 1-2

1.2 Framework and Dimension

Please refer to the following two figures for dimension information. The unit is mm. See Figure 1-2 and Figure 1-3.

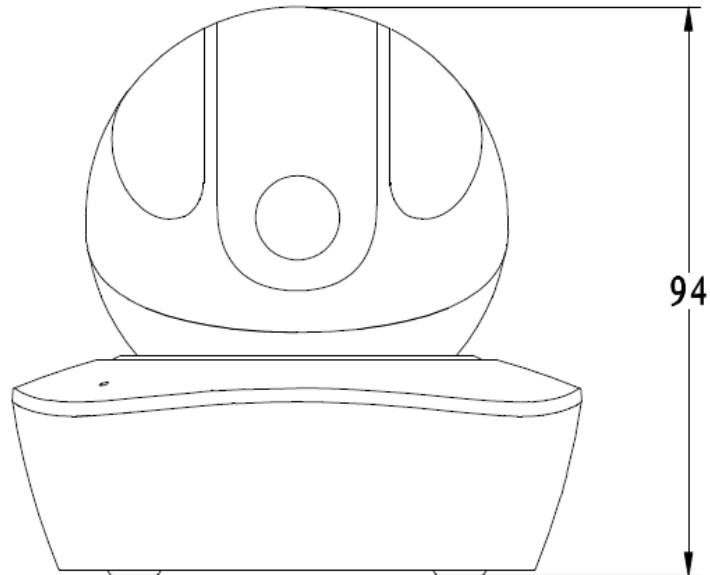


Figure 1-2 Dimension illustration 1

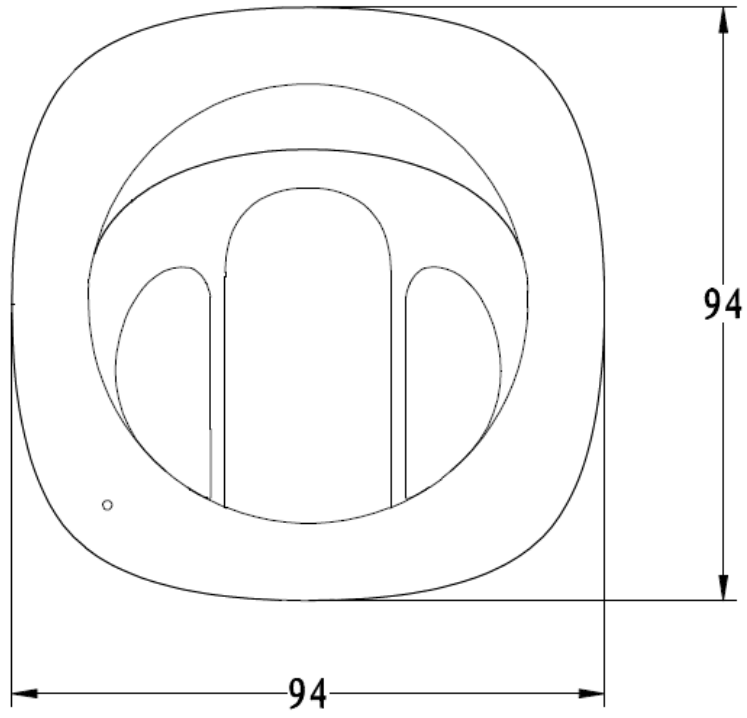


Figure 1-3 Dimension illustration 2

2 Device Installation

2.1 Installation Steps

Important

Before the installation, please make sure the installation environments can at least support 3x weight of the camera.

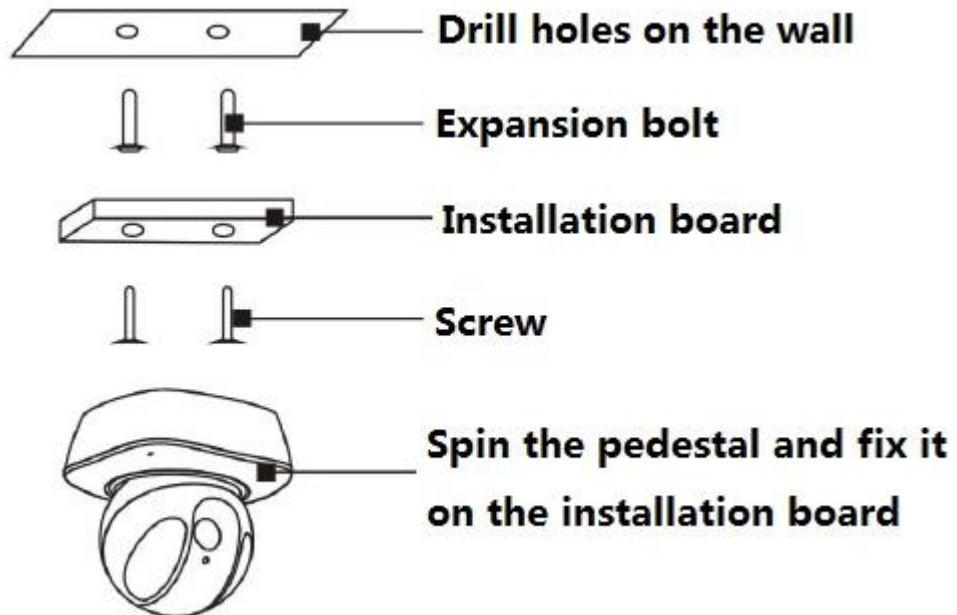


Figure 2-1

3 Device Configuration

3.1 Device Configuration Steps

As for device configuration, take IOS as an example.

Step 1

Power on the camera.

Step 2

Connect iphone to a WiFi signal.

Step 3

Open DMSS (downloaded from APP Store), choose Device Manager.

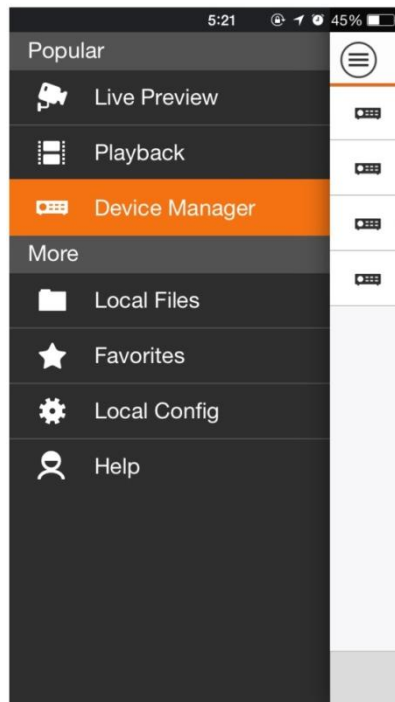


Figure 3-1

Step 4

Click “+”.

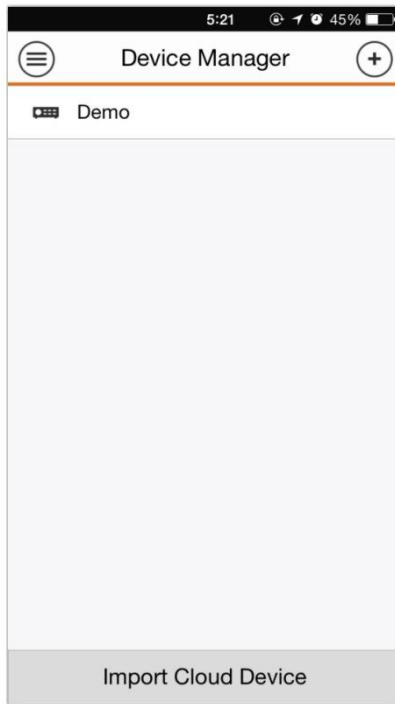


Figure 3-2

Step 5

Choose "WiFi configuration".

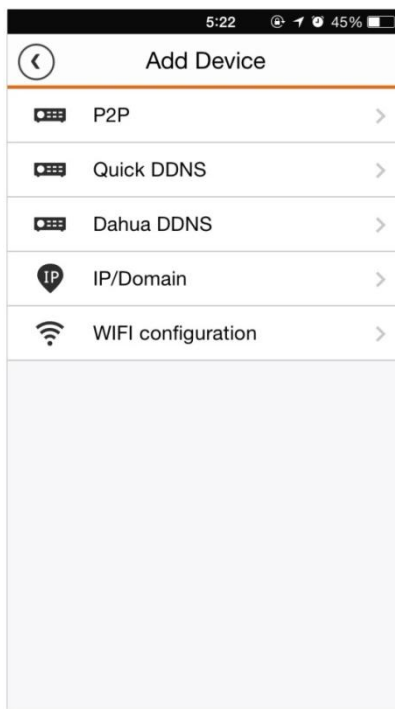


Figure 3-3

Step 6

Input a device name and scan the QR code on camera, then "next".

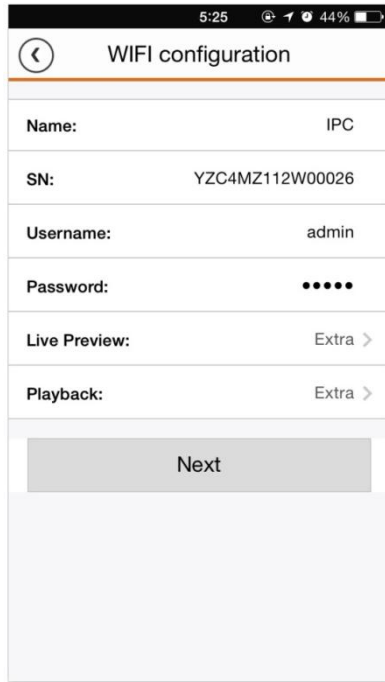


Figure 3-4

Step 7

Input the WiFi password, then “next”.



Figure 3-5

Step 8

Connection succeeds.

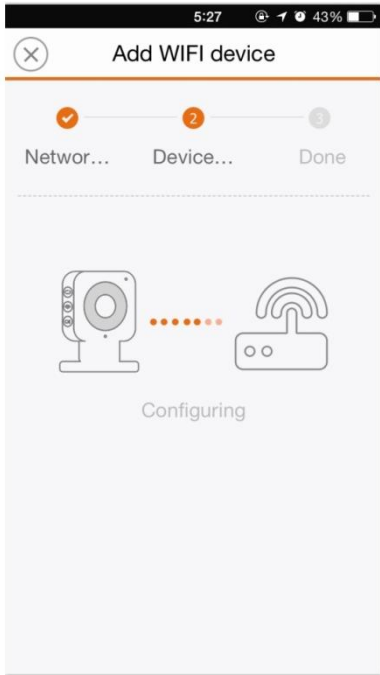


Figure 3-6

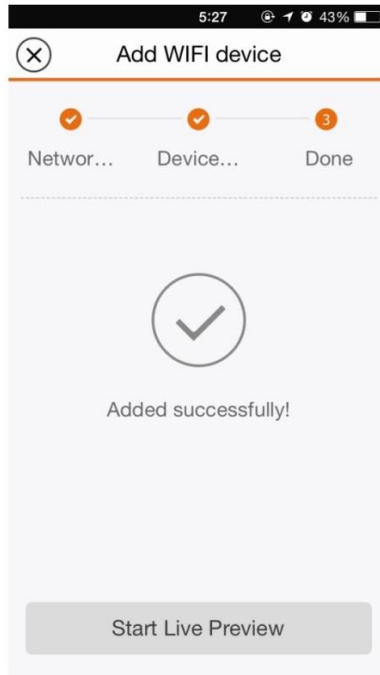


Figure 3-7



Figure 3-8

Note:

Please try again or check the WiFi password if it failed.

The WiFi configuration will be closed if activating WPS function (see Sheet 1-1), Please reset the device if you still need to configure WiFi via DMSS App.

3.2 Restore Factory Default Setup Introduction

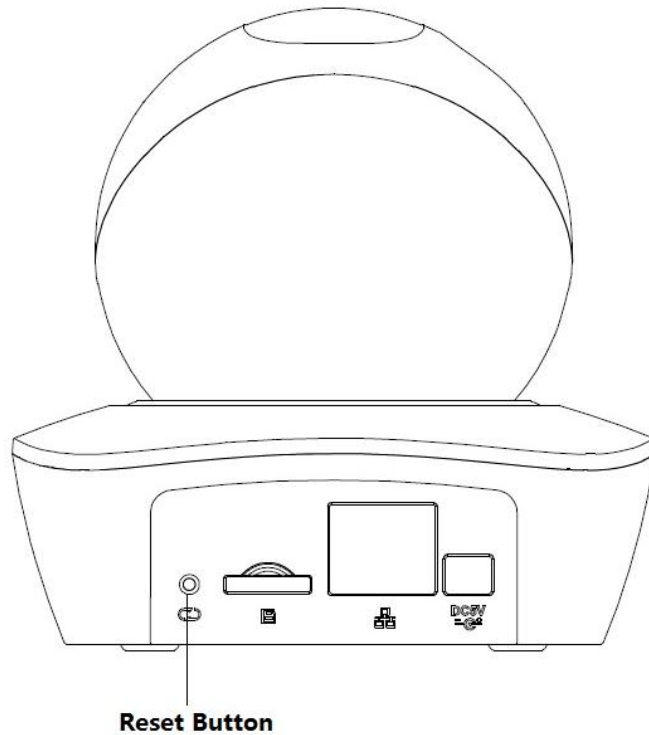


Figure 3-9

Press the reset button for 10 seconds to restore factory default setup.

4 Network Configuration

The IP address of all the cameras is the same when leaving factory (default IP192.168.1.108), in order to make the camera get access to the network smoothly, please plan the useable IP segment reasonably according to the actual network environment.

4.1 Modify IP Address

IP address can be acquired and modified through quick configuration tool for the cameras which are accessed via wired network, it needs to connect wired network to configure wireless parameters before using wireless network cameras. In this chapter, it will introduce the approach of modifying IP address via “Quick Configuration Tool”; also you can modify the IP address in the network parameters of the WEB interface, please refer to the document in the disk << WEB Operation Manual>> for more details.

Note:

Currently the quick configuration tool only supports the cameras which apply to the same network segment with computer IP address.

Step 1 Double click the “ConfigTools.exe” and open the quick configuration tool.

Step 2 Double click the device to be configured, the system will pop out the “Login” dialog box. Enter the IP address, user name, password and port number of the camera, and click “Confirm”.

Note:

The default user name and password are admin and admin respectively, the default of port is 37777. See Figure 4-1 for more details.

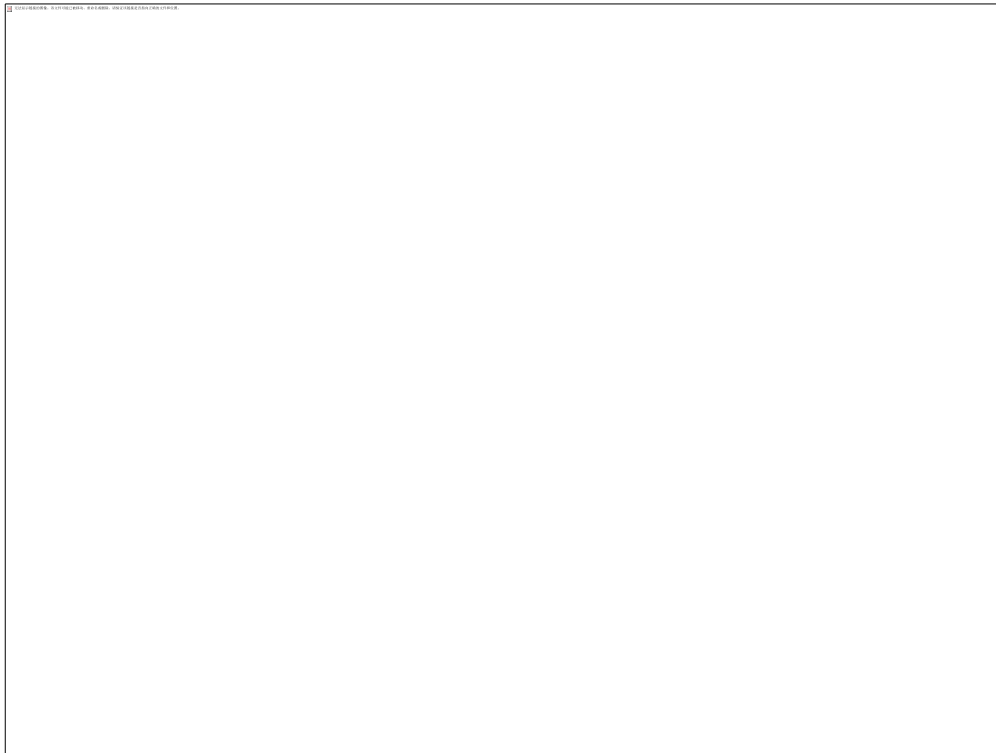


Figure 4-1

Step 3 Modify the camera IP address on the “Net” interface, click “Save” to finish modification.
See Figure 4-2 for more details.

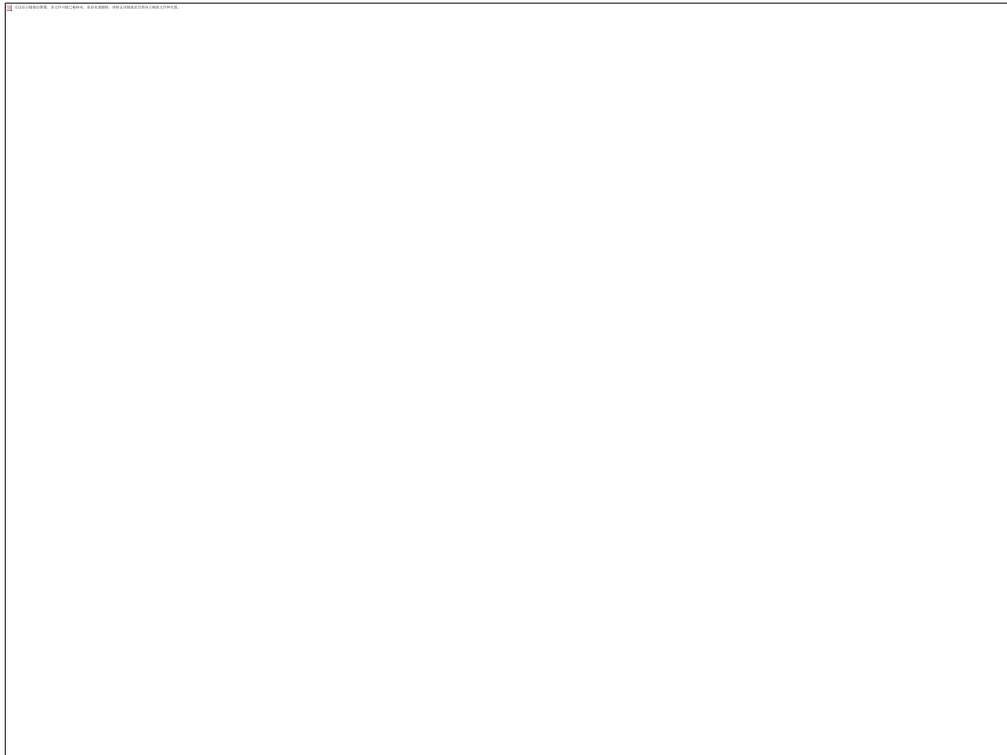


Figure 4-2

4.2 Login WEB Interface

Note:

Different devices may have different WEB interfaces, the figures below are just for reference, please refer to the document <<WEB Operation Manual>> in the disk and the actual interface for more details

Step 1 Open IE and input the modified camera IP address in the address bar.

Step 2 The login interface is shown below, please input your user name and password (Default user name is admin and password is admin respectively), click “login”.

See Figure 4-3 for more details.



Figure 4-3

Step 3 Install controls according to the system prompt; see Figure 4-4 for the WEB main interface. Please modify the administrator password as soon as possible after you successfully logged in.

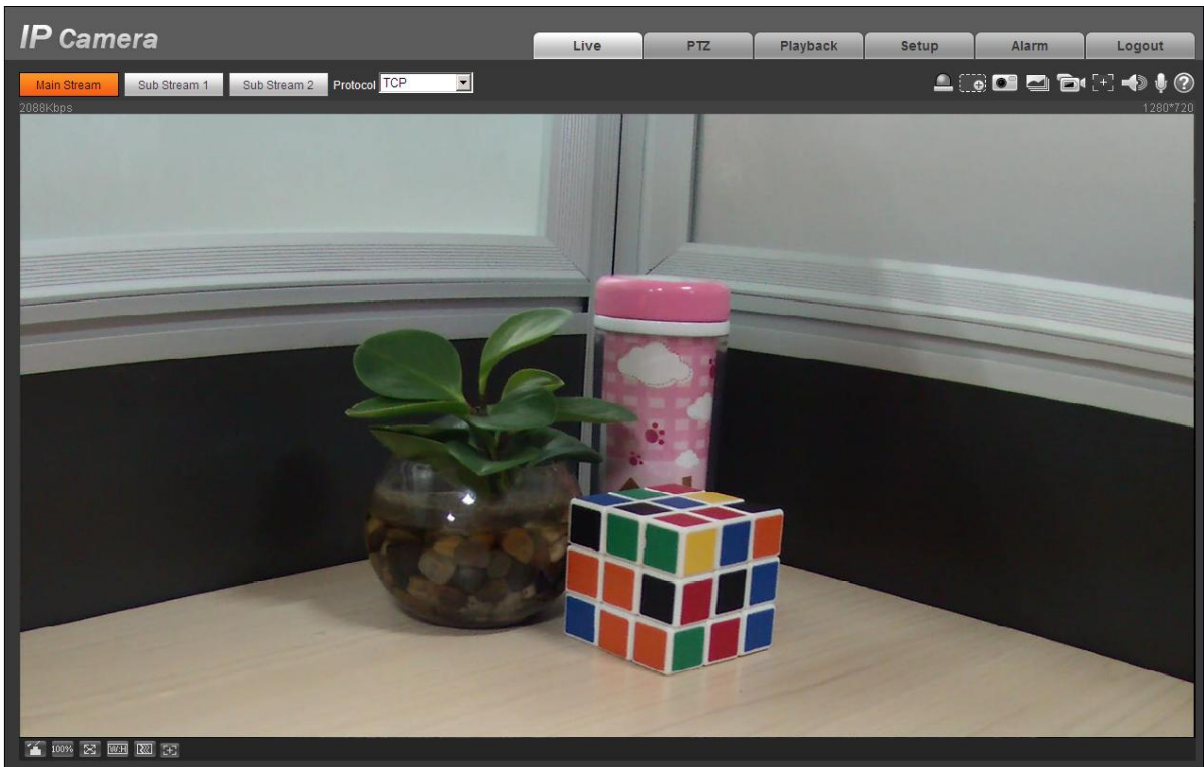


Figure 4-4

Note:

- **This quick start guide is for reference only. Slight difference may be found in user interface.**
- **All the designs and software here are subject to change without prior written notice.**
- **All trademarks and registered trademarks mentioned are the properties of their respective owners.**
- **If there is any uncertainty or controversy, please refer to the final explanation of us.**
- **Please visit our website or contact your local service engineer for more information.**