



## CAUTION

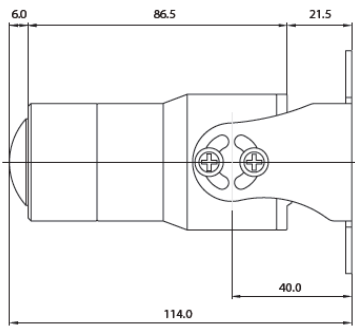
RISK OF ELECTRIC SHOCK  
DO NOT OPEN



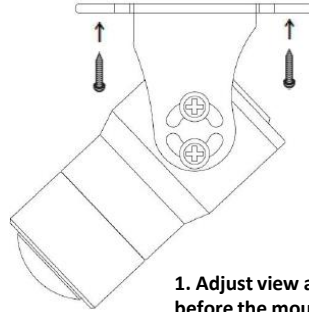
CAUTION : TO REDUCE THE RISK OF ELECTRIC SHOCK,  
DO NOT REMOVE COVER  
NOT USER SERVICEABLE PARTS INSIDE  
REFER SERVICING TO QUALIFIED SERVICE PERSONNEL

## Dimensions

Part name & Dimension



## Installation



**1. Adjust view angle using the bracket hole before the mounting screws are fixed.**

**2. Loosen up the screws of the bracket for adjusting view angle and tighten up the bracket on the wall or ceiling**

## Accessories



Mounting screws

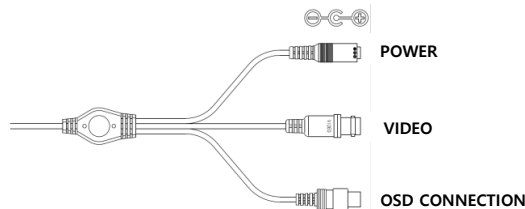


OSD linking cable (option)



Wall mount bracket (option)

## Cable



## Features

- 1/3" 960H Sony Super HAD II CCD
- 700 TV lines of Resolution
- AlSi 316 Grade Stainless steel body & 3-axis bracket
- Anti-salt & Anti-germ
- 24pcs of Chip IR LEDs
- Wide angle of view (170°)
- Compact size
- Low illumination camera
- Smart 3D-DNR
- SENS-UP (x8, default)
- Waterproof / IP-67 compliant
- DC12V

## Specifications

TV System		NTSC	PAL
Image pick-up Device		1/3" Sony Super HAD II Color CCD (960H)	
Number of Pixels	H	976	976
	V	494	582
Scanning Frequency	H	15.734KHz	15.625KHz
	V	59.94Hz	50Hz
Horizontal Resolution	Color	700 TV Lines	
Scanning System		2:1 Interlace	
S/N Ratio		More than 52dB (AGC off)	
Min. Sensitivity		0.1 Lux at F : 1.2	
		0.001 Lux at SENS-UP on	
Scanning System		2:1 Interlace	
Gamma Correction		0.45 Approx.	
Gain Control		Automatic	
Video Output		Composite Video 1.0Vp-p/75Ω	
Lens		Fixed 2.3mm Lens (170°)	
Power Source		DC12V 300mA	
Power Consumption		1.0 Watt	
Operating Temp.		-10°C ~ +50°C	
Dimensions (mm)		Φ49 X 114(L)	
Weight/g		600	

**CAUTION!** Please use regulated power supply DC12V 300mA  
Reverse Polarity Protection



All specification and pictures are subject to change without notice to improve quality.