



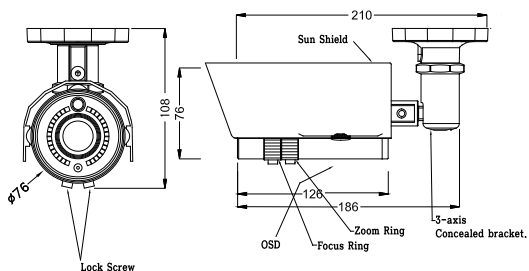
CAUTION

RISK OF ELECTRIC SHOCK
DO NOT OPEN

CAUTION : TO REDUCE THE RISK OF ELECTRIC SHOCK,
DO NOT REMOVE COVER
NOT USER SERVICEABLE PARTS INSIDE
REFER SERVICING TO QUALIFIED SERVICE PERSONNEL

Dimensions

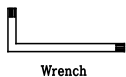
Part name & Dimension



Accessories



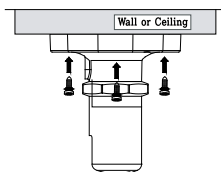
Screws



Wrench

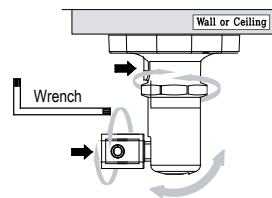
Installation

Step.1



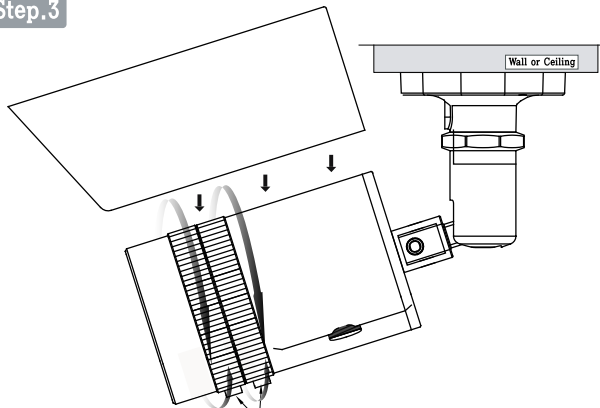
Fixing bracket at desired place

Step.2



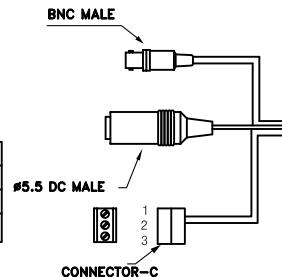
Adjust view angle with 3-axis bracket

Step.3



To Control Zoom & Focus,
you must unlock these screws to adjust ring
adjust Zoom & Focus, Push a sunshield on the top

| CONNECTOR-C | PIN NO. | SPEC. | COLOR | WIRE NO. |
|----------------------|---------|---------|--------|----------|
| TERMINAL 3P-ALRAM | 1 | ALARM | BLUE | 1571#28 |
| | 2 | GND | BLACK | 1571#28 |
| | 3 | TRIGGER | ORANGE | 1571#28 |



Features

- 1/3" Sony Super HAD II Color CCD.(600TV Lines)
- 3DNR & Sense-up (Max 16)
- DWDR(Digital Wide Dynamic Range)
- 33pcs White IR leds
- PIR Sensor Built-in (detection Max 10M)
- 2.8-12mm DC Auto Iris lens
- Lens adjustable externally.
- Concealed bracket
- (3axis for both wall and ceiling mount)
- OSD Built in
- Weather proof(IP- 66)

Specifications

| Model | EL-900VLB | |
|-----------------------|--|-----------|
| Number of Pixels | H | 768 |
| | V | 494 |
| Scanning Frequency | H | 15.734KHz |
| | V | 59.94Hz |
| Horizontal Resolution | Color : 600 TV Lines | |
| Image Pick-UP Device | 1/3" Sony Super HAD II Color CCD | |
| Scanning System | 2:1 Interlace | |
| S/N Ratio (AGC Off) | More Than 50dB | |
| Min. Sensitivity | 0 Lux - at F : 1.2 (30m Range) | |
| Gamma Correction | 0.45 Approx. | |
| Gain Control | Automatic | |
| Video Output | Composite Video 1.0Vp-p/75 | |
| Lens | 2.8~12mm Varifocal DC Auto Iris lens | |
| Power Source | DC12V / AC24V Dual Power Voltage | |
| Power Consumption | Max.1W at normal / Max. 3W at White LED on | |
| Operating Temp. | -10℃ ~ +50℃ | |
| Dimensions (mm) | 76(pi) x 108(L) | |
| Cable | BNC / DC Jack Cable | |
| Weight/g | 1100 | |

**Option - Built-in Balun / UTP
Heater

