

HDAVS Fixed Camera User's Manual

Version 1.0.0

Table of Contents

1	General Introduction	1
1.1	Overview.....	1
1.2	Features.....	1
2	Framework and Dimensions.....	2
3	Installation.....	3
4	Menu.....	5
4.1	HDAVS Series DVR Settings	5
	Appendix Toxic or Hazardous Materials or Elements	7

Welcome

Thank you for purchasing our HDAVS camera!

This user's manual is designed to be a reference tool for your system.

Please read the following safeguard and warnings carefully before you use this series product!

Please keep this user's manual well for future reference!

Important Safeguards and Warnings

1 . Electrical safety

All installation and operation here should conform to your local electrical safety codes.

The power shall conform to the requirement in the SELV (Safety Extra Low Voltage) and the Limited power source is rated 12V DC (24V AC) in the IEC60950-1.

We assume no liability or responsibility for all the fires or electrical shock caused by improper handling or installation.

2 . Transportation security

Heavy stress, violent vibration or water splash are not allowed during transportation, storage and installation.

3 . Installation

Do not apply power to the camera before completing installation.

Please install the proper power cut-off device during the installation connection.

Always follow the instruction guide the manufacturer recommended.

If this product is installed in the ceiling, please make sure the installation position can sustain the min 50N.

4 . Qualified engineers needed

All the examination and repair work should be done by the qualified service engineers.

We are not liable for any problems caused by unauthorized modifications or attempted repair.

5 . Environment

This series camera should be installed in a cool, dry place away from direct sunlight or strong light, inflammable, explosive substances and etc.

This series camera shall work on the specified working temperature. Please keep it away from the electromagnetic radiation object and environment.

Please keep the sound ventilation.

Do not allow the water and other liquid falling into the camera.

6. Accessories

Be sure to use all the accessories recommended by manufacturer.

Before installation, please open the package and check all the components are included.

Contact your local retailer ASAP if something is broken in your package.

7. Daily Maintenance

Please shut down the device and then unplug the power cable before you begin daily maintenance work.

Use the dry soft cloth to clean the device.

If there is too much dust, please use the water to dilute the mild detergent first and then use it to clean the device. Finally use the dry cloth to clean the device.

Please put the dustproof cap to protect the CCD (CMOS) component when you do not use the camera.

Applicable model

This manual can be applied to following model:

AVS-B2210

1 General Introduction

1.1 Overview

This series megapixel HD camera conforms to the HDAVS standard. It supports video signal high-speed long distance transmission without any delay. It can be controlled by the DVR conforming to the HDAVS.

1.2 Features

- High-performance CMOS image sensor, megapixel definition.
- Support HD video and control signal coaxial transmission.
- Support 75-3 coaxial cable transmission without any loss. 720P series transmission distance over 500m, 1080P series transmission distance over 300m.
- High speed, long distance real-time transmission.
- Support HDAVSHD and analog SD switch output.
- 720P series support 720P@25, 720P@30, 720P@50, 720P@60.
1080P series support 1080P@25, 1080P@30, 720P@25, 720P@30, 720P@50, 720P@60.
- Support high performance 3D noise reduction (denoise), excellent performance in low illumination
- Support ICR switch to realize surveillance both in the daytime and at night.
- 3.6mm fixed lens (2.8mm, 6mm, 8mm optional).
- Support OSD (on-screen display), suitable for user self-defined setup.
- Support DC12V power supplying.
- IP66 compliance.
- Support intelligent IR function, max IR distance 20m.

2 Framework and Dimensions

Please refer to the following figures for dimension information. The unit is mm. See Figure 2-1 to Figure 2-4.

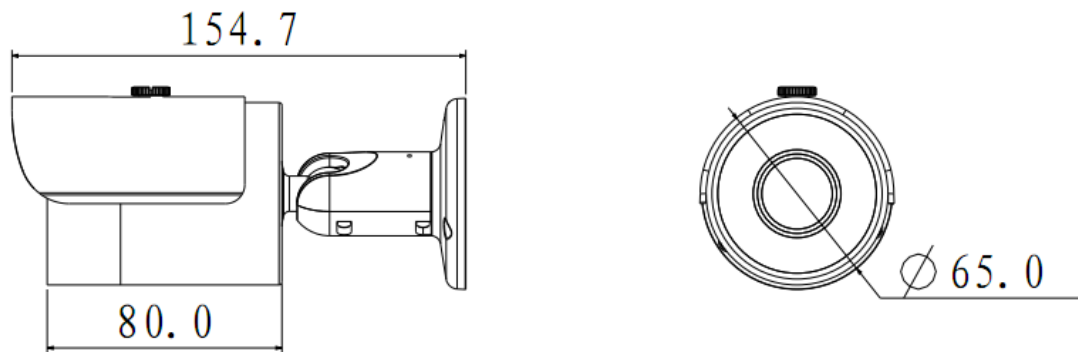


Figure 2-1

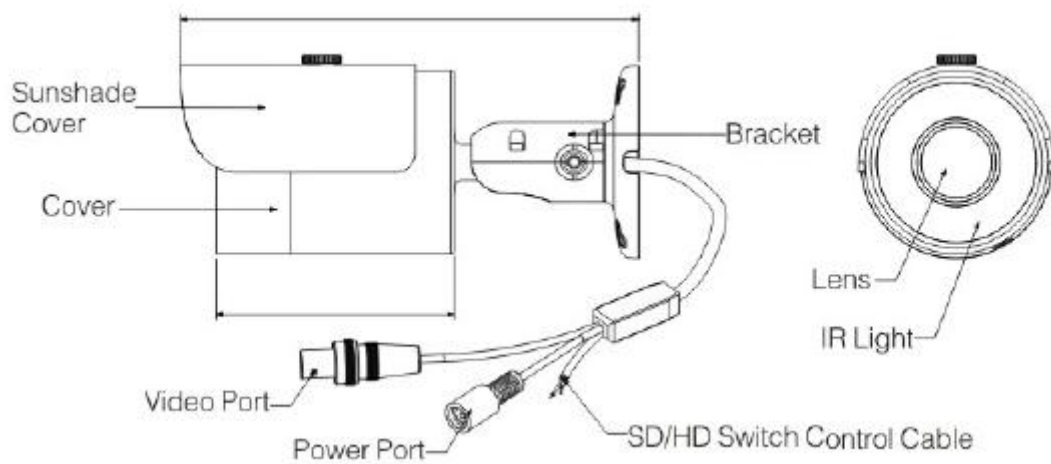


Figure 2-2

When the standard definition/high definition switch control cable is short circuit, system outputs standard definition video. Otherwise, when the circuit is open, system outputs the high definition video.

3 Installation

Important

- Before the installation, please make sure the installation surface can sustain at least 3X weight of the bracket and the camera.

Step 1

Dig three holes in the installation surface of the wall or the ceiling. Insert three expansion bolts to the three holes and then lock firmly.

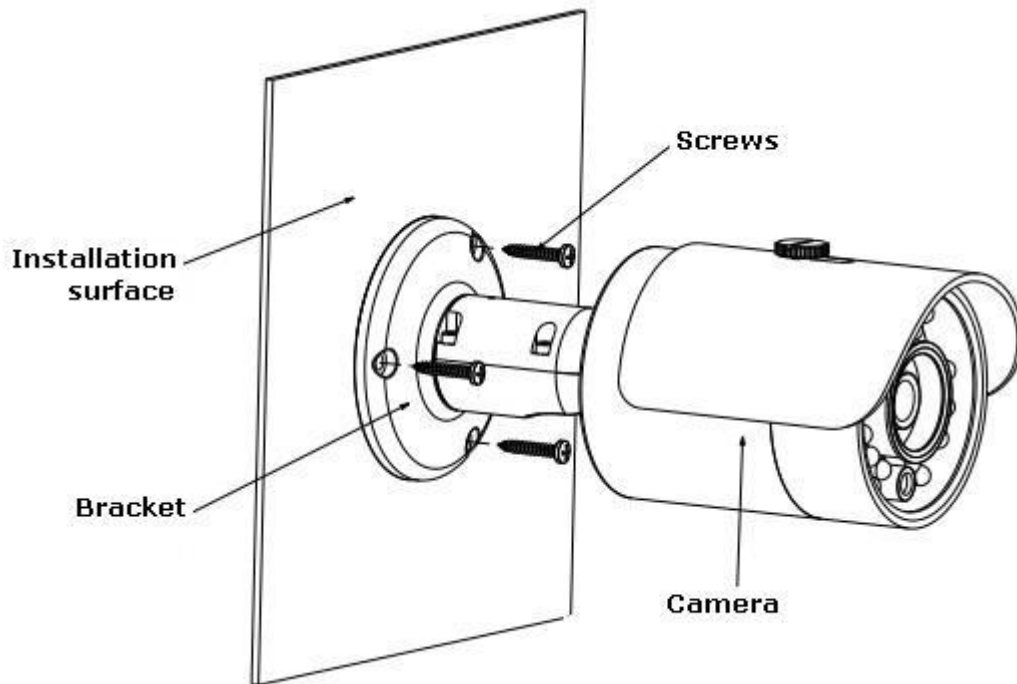


Figure 3-1

Step 2

First prepare the cable according to the cable. Line up the three screw holes at the bottom of the bracket to the three installation holes in the wall or the ceiling, and then insert three screws to the three holes of the chassis of the bracket and fix them firmly. Now secure the bracket on the installation surface of the wall or the ceiling.

Step 3

Adjust the camera to the proper monitor area via the three directions indicated in Figure 3-2 after you fixed the camera.

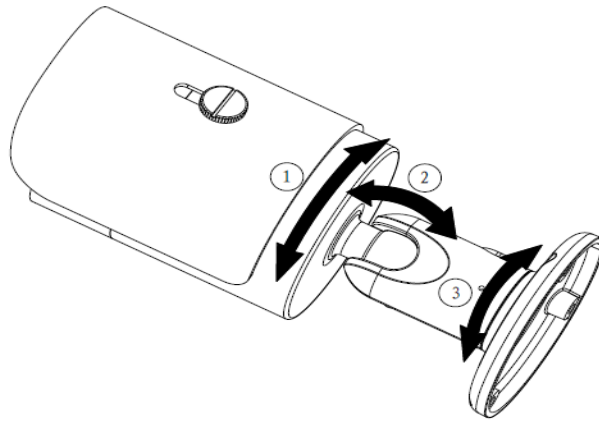


Figure 3-2

Step 4

Connect the device video output port to the terminal devices such as the DVR, NVS and etc. Then connect the power cable to the device.

4 Menu

4.1 HDAVS Series DVR Settings

Note

The following operation and interfaces for reference only. Please refer to the HDAVS series DVR user's manual for detailed information.

After connected the camera to the HDAVS series DVR, from Main Menu->Setting->System->PTZ, you need to set control mode as HDAVS and the protocol as DH-SD1. Click Save button to save current setup. See Figure 4-1.

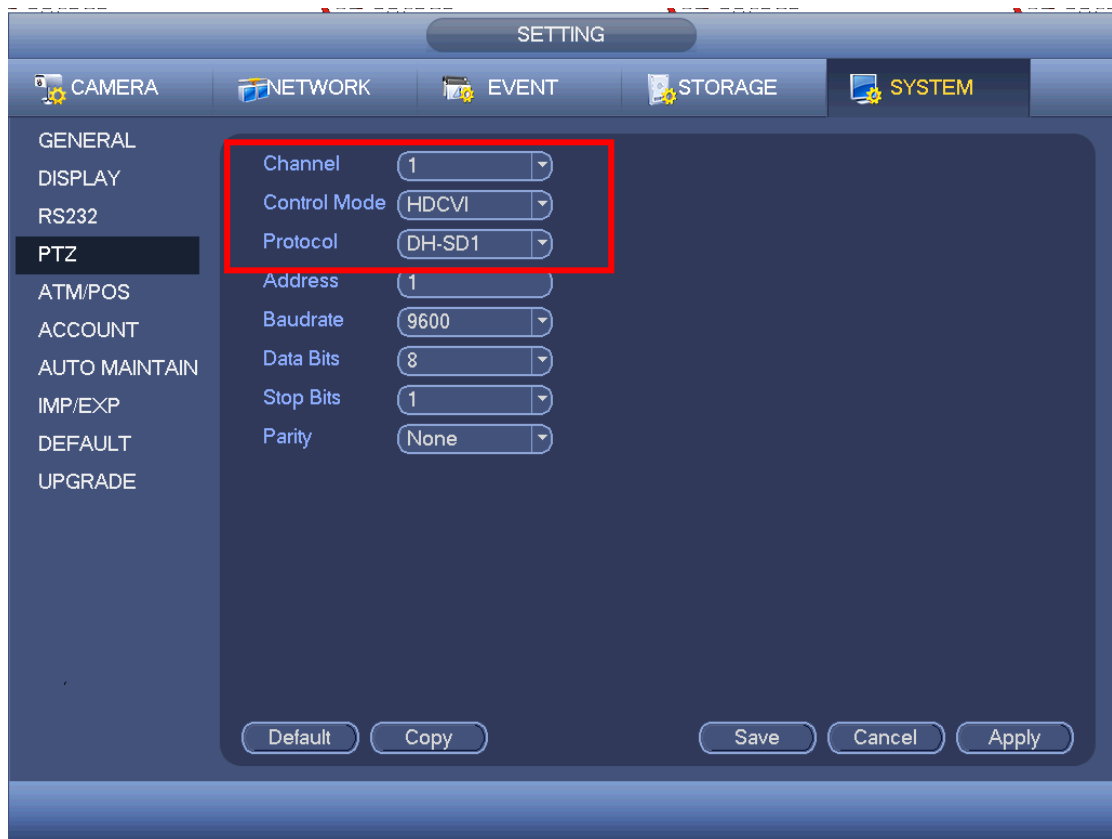


Figure 4-1

On the preview interface, right click mouse and then select PTZ; you can see an interface shown as below. See Figure 4-2.

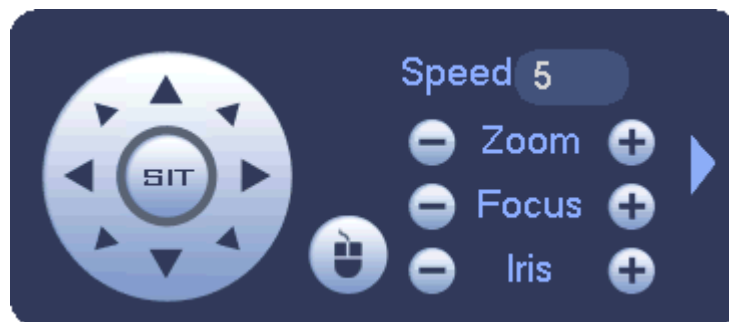


Figure 4-2

Click Iris "+" to open menu or confirm current operation.

Click up/down button to view all the items on the left pane of the following list. Click left/right button to set the corresponding values on the right pane of the following list. If there is “←|”, click confirm button to go to the 2nd menu. Repeat the previous steps to set detailed value. Click Return button to go back to the previous menu interface.

Appendix Toxic or Hazardous Materials or Elements

Component Name	Toxic or Hazardous Materials or Elements					
	Pb	Hg	Cd	Cr VI	PBB	PBDE
Circuit Board Component	○	○	○	○	○	○
Device Construction Material	○	○	○	○	○	○
Wire and Cable	○	○	○	○	○	○
Packing Components	○	○	○	○	○	○
Accessories	○	○	○	○	○	○

O: Indicates that the concentration of the hazardous substance in all homogeneous materials in the parts is below the relevant threshold of the SJ/T11363-2006 standard.

X: Indicates that the concentration of the hazardous substance of at least one of all homogeneous materials in the parts is above the relevant threshold of the SJ/T11363-2006 standard. During the environmental-friendly use period (EFUP) period, the toxic or hazardous substance or elements contained in products will not leak or mutate so that the use of these (substances or elements) will not result in any severe environmental pollution, any bodily injury or damage to any assets. The consumer is not authorized to process such kind of substances or elements, please return to the corresponding local authorities to process according to your local government statutes.

Note

- **This manual is for reference only. Slight difference may be found in the user interface.**
- **All the designs and software here are subject to change without prior written notice.**
- **All trademarks and registered trademarks mentioned are the properties of their respective owners.**
- **If there is any uncertainty or controversy, please refer to the final explanation of us.**
- **Please visit our website or contact your local service engineer for more information.**